

TERM OF WARRANTY

RANDON S.A. - Implementos e Participações gives the piece of equipment specified in this certificate a warranty composed of: (three) 3-month Legal Warranty and (nine) 9-month Contractual Warranty, totaling twelve (12) months starting from the date the Client will be billed for the piece of equipment, with no mileage limit, against manufacturing defects only.

By removing the implement, the Customer must check if it is according to the request made and register at the same time with the Distributor, any verified nonconformity, signed the delivery checklist.

For components acquired from third parties, such as accessories, pneumatic valves, cooling equipment, hydraulic kit, and others, Randon transfers to its Customers the same warranty conditions received from its suppliers. Any warranty claim, must be made at a Randon Authorized Network.

Warranty Conditions

The Warranty shall be given provided that the customer has followed the conditions below:

- If the customer followed the instructions given in the Owner's Manual;
- If the equipment was used under regular conditions, without submitting it to overload;
- If the equipment was submitted to the recommended periodical service at the Randon Authorized Net and within the recommended periods;
- Using Randon genuine parts and components in the replacements and maintenance;
- Using lubricants recommended by Randon;
- If repair services and replacements were performed by Randon Authorized Net;
- Upon presentation of the Term of Warranty and/or the Trade Note referring to the acquisition of his equipment.

So that repairs are performed, replacements and/or maintenance, resulting from warranty, within the deadlines mentioned in this Agreement, the implement must be available at the Randon authorized distributor, within thirty (30) days of the effective claim. If not available in this period of thirty (30) days and having passed the warranty period, the Customer will forfeit the repair, replacement and/or maintenance.



Warranty Restrictions

The Warranty does not cover the following items:

- Defects caused by accidents, misuse, reconstruction or modification services performed in the equipment by non-authorized third parties;
- Defects caused by alterations and/or adaptations in components supplied by Randon or by third parties without the prior authorization of Randon, even when performed by a Randon Authorized Representative;
- Normal wear to product and/ or its components, as well as those requiring replacement in periodic maintenance, such as: plastic cover (Bulk canvas, Dry Cargo and Sider), brake linings, brake drums, tires, electrical components, pneumatic repairs, hydraulic repairs, oils, greases and cleaning material and adhesive/ decorative strips;
- Regular maintenance of the equipment such as lubrication, periodic retightening and cleaning of the implement;
- Regular maintenance service such as: alignment of the axles, lubrication, periodical re-tightening and washing of the equipment;
- Bending of the axles and spring packs;
- Personal displacement, expenses with towing, resulting from accidents and misuse of the implement;
- Defects resulting from insufficient lubrication or lack of maintenance;
- Expenses of displacement of implements, fuel and others that may arise as there is the need for service at the Randon Distributors Network;
- Defects resulting from misusing the equipment in operations different from those the equipment has been designed for;
- Immobilization of the equipment and ceasing profits;
- Defects of painting due to the lack of maintenance and/or improper use of cleaning products, see chapter Implement Painting in the Owner's Manual;
- Use of non-genuine Randon parts in the maintenance of the implements.



Note:

- A genuine part, replaced under Warranty at Randon's Authorized Net, has a Term of Warranty equal to that of the equipment;
- A Randon genuine part, purchased at Randon's Authorized Net, has a Term of Warranty against workmanship defects of six (06) months from the date of purchase;
- Randon reserves the right to modify the features and introduce enhancements in its implements, without incurring the obligation to make the same change in the previously manufactured implements;
- The present warranty is part of the purchase contract of the equipment. The contracting parties shall follow all its conditions and terms.

Warranty Period

The Implement referred to in this certificate was tested and the necessary adjustments were made at the factory prior to delivery.

The owner must perform the periodical maintenance services in any Randon Authorized Dealer, as they are crucial for keeping the equipment in good conditions.

For the warranty to be valid and to obtain the best implement performance, it is essential that the maintenance plan recommended in this manual be followed and performed at the Randon Authorized Network.



Important:

- Present this manual and certificate in service requests as collateral, which is provided upon removing the acquired implement;
- Keep this Guarantee Agreement with the invoice and Owner's Manual.



Attention:

The maintenance tasks and periods foreseen in the item **Maintenance (Periodical Maintenance Chart - initial column, every thirty (30) and ninety (90) days)**, are services indicated by Randon and are extremely important and necessary for the owner to keep his equipment in normal conditions of operation, thus guaranteeing a better performance and greater durability.



Important:

During the warranty process, some components such as brake drums, wheels, rims, axle beams, etc. need destructive tests for analysis. In this case, the components will be removed by the Randon Authorized Network and cannot be reused by the customer.

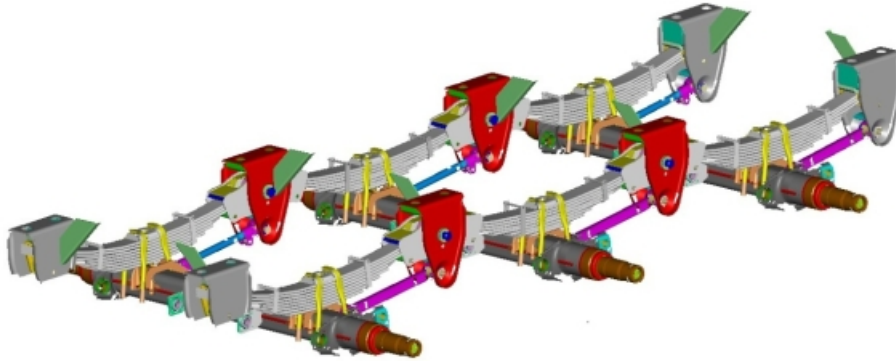
SUSPENSION LUB-FREE

The traditional semi-trailers are fitted with a stamped suspension of 2 or 3 axles, tandem type, with equalizers.

The suspension performs the function of transferring loads between the axles.

The Interlink semi-trailers are fitted with 2-axle stamped suspensions, tandem type, with equalizers, performing the function of transferring loads between the axles.

Randon stamped suspensions are equipped with central support and Lub-Free model equalizers. The main advantages offered by this component are: lubrication-free, longer durability, lower noise and easier maintenance. These advantages are ensured by the "Silent Block" bushing (same concept as torque arms).



Lub-Free Central Support Features:

1. Stamped support with bushing to secure equalizer;
2. Screw and nut to secure the equalizer to the support;
3. Stamped body equalizer and welded bracket;
4. Silent-block rubber bushing.

Central Support Maintenance:

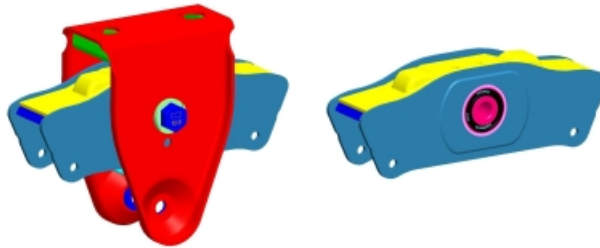
Visually check the conditions of the items comprising the central support:

- Central support body;
- Equalizer;
- Rubber bushing and screw;
- Pads.



Important:

A torque outside recommendations may cause damages to the central support, screw and rubber bushing. See torque chart in this manual.



Note:

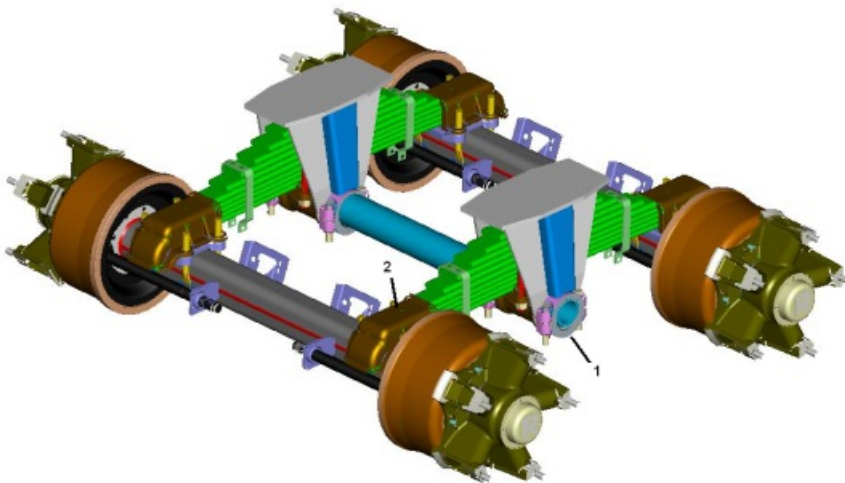
Whenever the bushings and/or the torque arms are serviced, observe the torque of 70 to 80 kgfm on the torque arm bolt nut.

SINGLE POINT SUSPENSION

As an option, the Single Point suspension 26t. and 32t. can be used in trailers and semi-trailers to operate in severe conditions, such as in the transportation of sugar-cane, forested timber and in the mining area.

The Suspensys Single Point suspension operates with the axles constantly supported on the ground with even load distribution. This is possible thanks to its construction system which features an oscillating central bearing (bracket), semi-elliptical springs fixed to the axle by means of cast iron caps. This system allows a larger working stroke and flexibility of the set and features a larger distance of its components from the ground, making it possible to operate in rough terrain where a lot is required from the suspension in its transversal and longitudinal movements.

The lubrication of the suspension is made only in the central bracket (1), so impurities can be removed, and in the spring housing (2), every 15 days or 5,000 km.



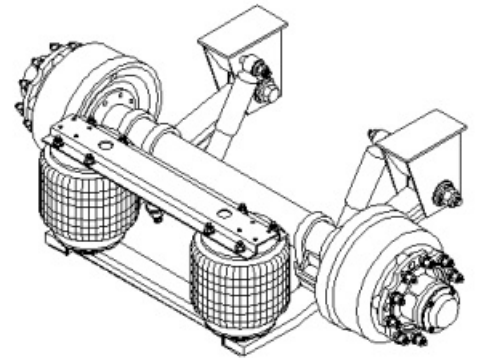
PNEUMATIC SUSPENSION

In order to maintain the stability of the product, the pneumatic suspension is equipped with pneumatic springs and shock-absorbers rather than spring packs. Each axle forms a suspension module, independent from one another, but interconnected by longitudinal pneumatic lines. Its operating principle is based on the continuous maintenance of the distance between the chassis and the ground through the Suspension Leveling Valve. RANDON has two models of pneumatic suspensions:

- **Low Combined Pneumatic Suspension;**
- **PSYS Pneumatic Suspension;**
- **TAS Pneumatic Suspension.**

Low Combined Pneumatic Suspension

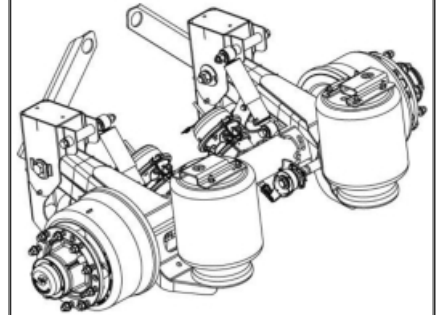
This suspension is used on dropped semi-trailers and/or semi-trailers equipped with Self-Steering System. It is fitted with driving springs (metallic) in conjunction with pneumatic springs.



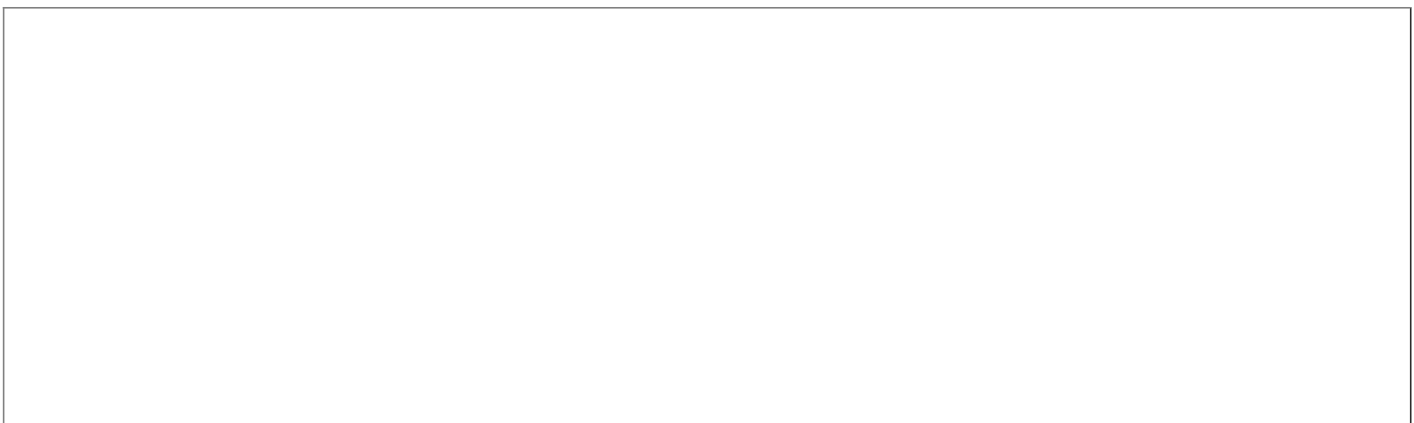
Suspension PSYS

This model of suspension is used on RANDON trailers and semi-trailers where the Combined Pneumatic Suspension is not used.

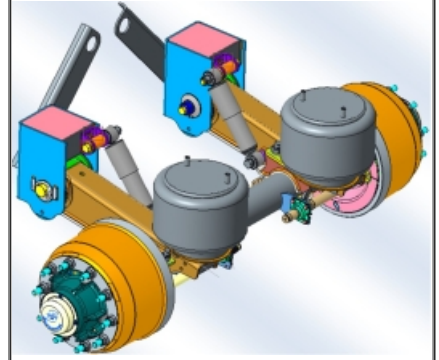
The axle beam is welded to the arms and the supports are fitted with an adjusting system for axle alignment.



Suspension TAS



The TAS suspension is a Top Mount pneumatic suspension designed for the different applications found on the market, being ON ROAD or OFF ROAD.



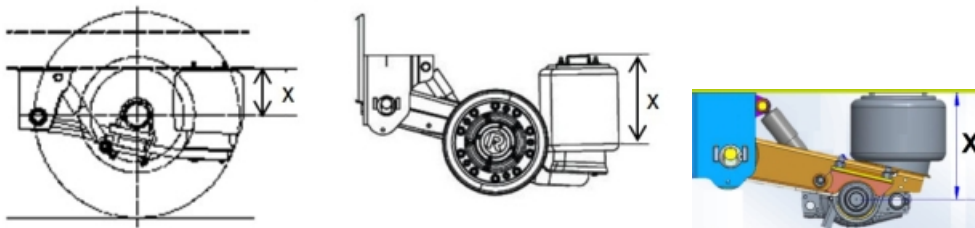
Washer Washer Rating

Follow monthly the level of wear of the polymer washers located between the suspension arm and the support (applied 2 washers on each arm) that has the function of avoiding friction between support and arm.

Position of wear washers	Washer 50% use (half life)	Washer 100% of use (required replacement)

Below is a table comparing the basic features of the pneumatic suspensions used in RANDON products:

	Model of Pneumatic Suspension		
	Low Model	PSYS	TAS
Model of Pneumatic Suspension	212100261	212100261	100000176552
Axle position	Above the driving spring	At the center of the arm	Next pneumatic spring
Adjustment of the Leveling Valve *	X = 250/290 mm	X = 400 mm	X = 400mm



Important:

If the adjustment of the suspension leveling valve is not according to the measurement indicated in the table below, the performance of the suspension will be affected, reducing the useful life of the suspension components and voiding the product warranty. In case your equipment shows the “X” height different from that informed in the above table, please contact the RANDON Authorized Service Outlet nearest you to check/ correct the adjustment of the suspension leveling valve.

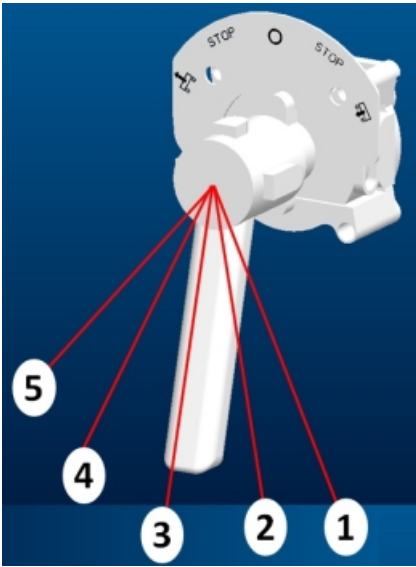
Suspension Leveling Valve

It controls the pneumatic suspension operating height, adjusting the pressure of the suspension pneumatic springs and keeping the distance between the chassis and the axle always constant, irrespectively of the load conditions and of the vehicle movement, even in curves.



Platform Leveling Valve

The Platform Leveling Valve is an optional item and is applied only in semi-trailers where all axles are fitted with pneumatic suspensions. It is used to level the semi-trailer base with loading and unloading platforms such as port piers. When the loading and unloading operations are concluded, that is, after deactivating the valve, the pneumatic suspension will level at the height set by the operating leveling valve of the suspension. For instructions on how to operate this valve, please follow the instructions contained in the valve itself.



1. Rise;
2. Stop;
3. Traffic (back to normal working height);
4. Stop;
5. Download.

TRAVELLING WITH THE SUSPENSION WITHOUT PRESSURE

When a pneumatic spring blows or the pneumatic circuit shows important leakage, the system will lose pressure, causing the suspension to operate only on the internal bumpers of the pneumatic springs. The equipment will lower approximately 100 mm. If this happens, please repair the damage, pressurize the system again and wait till the suspension levels. The suspension will level itself automatically at the height established at the last adjustment, if this last adjustment has not been changed. The blowing of the pneumatic spring does not disable the equipment from traveling a short distance, in the following conditions:

- If the equipment is fitted with three axles, isolate the affected suspension and pressurize the other suspensions, or run on bumpers (see note below)
- If the equipment is fitted with one or two axles, it will be able to run on bumpers (see note below)



Note:

RANDON recommends to follow the procedures above only when extremely necessary and for a short distance, until you find help, as the whole system and/or the other suspensions will suffer overload, compromising its functioning. We also emphasize that the equipment, in this condition, will not be in its ideal operating conditions, reducing partially its riding control;

Maintenance Instructions

Inspections

- Inspect the components of the pneumatic suspension at regular intervals during its normal operation and whenever the product is repaired;

- Before each trip, visually inspect the suspension system and see if there are no noises and air loss;
- Carry out the following inspection after the first 1600 km of operation. Inspect all screws and nuts, making sure there are no loose screws and nuts and/or excessive movements.
- Check all screw torque values, tightening those which are loose and replacing those which are missing or damaged;
- Check if there are no cracks on the support welding, reinforcements, driving springs, arms, axles, spring shoes (Combined Pneumatic Suspension);
- Check the condition of the pneumatic springs and make sure there are no cuts or signs that they are rubbing against something. When they show damages or cuts, replace them;
- Check shock-absorbers for signs of wear.
- Check shock-absorbers and make sure there are no signs of oil leakage. Should they are damaged or leaking, replace them.



Note:

Check the Periodical Maintenance Table contained in this Manual.

Adjustment of the Pneumatic Suspension Working Height

The adjustment of the Suspension Leveling Valve can be carried out with the equipment loaded or unloaded.

The trailers and semi-trailers equipped with pneumatic suspension leave the factory with the Suspension Leveling Valve adjusted in its break-even point.



Note:

When the equipment is loaded, the suspension must work always leveled, that is, the chassis lower base must be parallel to the ground.



Important:

For maintenance adjustments or further information on the Pneumatic Suspension equipping your RANDON trailer or semi-trailer, consult the RANDON's Authorized Service Outlet nearest you.

AXLES

Conventional Axle

- Tubular beam with load capacity;
- Tapered roller hangers (bearings) mounted on rectified seats;
- disc hubs and axially are made nodular iron;
- Fitted with OUTBOARD brake drum.



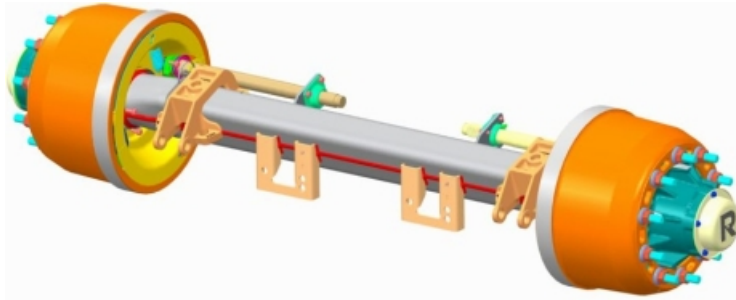
Note:

Fitted with OUTBOARD brake drum, which does not require the disassembling of the bracket during the replacement of the brake linings.



Attention:

At every 40,000 km, during brake lining replacements or every time the wheel hubs are disassembled, change the bracket grease and replace the locking washers and the seals, adjusting the bracket slack.

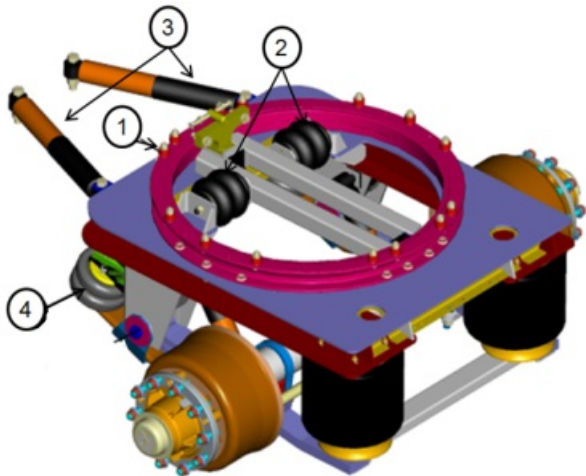


SELF-STEERING SYSTEM

RANDON semi-trailers equipped with spaced axle may have a self-steering component called Self-Steering System. The Self-Steering System is comprised of mechanical and pneumatic components, especially developed by RANDON to equip the semi-trailer with a spaced axle (steering automatic system) that provides better maneuverability and higher stability to the equipment, with less drag of the tires.

The Self-Steering System comprises:

- A turntable to move the system;
- Pneumatic springs to center the system and axle;
- Shock-absorbers to keep the stability and eliminate vibrations from the system.



The semi-trailer equipped with the Self-Steering System requires special attention in terms of operation and maintenance. Please check the following sections:

- Pneumatic suspension (ind. 3);
- Turntable, (Articulation Systems) (ind.2);
- Load Adjusting Valve (Independent Pneumatic Suspension);
- Air Axle Lift (ind.1);

Please also check periodically:

- The springs of the centering system, making sure they do not show signs of leakage;
- The shock-absorbers, making sure they do not show damages in the eye and body, loss of efficiency and leakage.
- Alignment of the axle and of the self-steering system.

Inspections


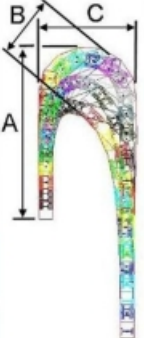





RANDON recommends that you check the following points:

- Make sure the load distribution is correct;
- Check periodically if the shock-absorbers and pneumatic springs do not show leakage or damages;
- Check periodically if the Load Adjusting Valve is functioning well;
- Carry out the inspections indicated in this Manual for the Pneumatic Suspension

Turning Radius

The turning radius indicates the distance needed to make maneuvers and thus avoid excessive tire dragging and overstressing, which can shorten the lifespan of your tires, torque arms, bearings, equalizers, supports and chassis.

See drawing with the smallest turning radius for Randon trailers/semi-trailers, without running the risk of tire dragging.

MODELOS DE CVC	Articulações	Raio Giro	A (m)	B (m)	C (m)
	1		26,6	8,4	19,4
	1		26,6	8,8	19,4
	1		26,6	9,3	19,4
	2		27,4	8,8	19,0
	3		34,1	13,3	19,4
	2		34,3	13,6	19,2



Comment:

The main function of the self-steering system is to reduce the dragging of the tires. We remind you that the movement of the self-steering axle is limited to 15° to each side, maximum.



Note:

During maneuvers at low speeds, the steering axle shall always be suspended in order to avoid premature wear or damages to the tires.

The self-steering system is equipped with a solenoid valve, connected to the reverse gear light, that will automatically activate the axle lift. This will happen whenever the tractor-truck is operated in reverse gear.



Important:

For the correct operation of the self-steering system with activation through the reverse gear light, please note the following:

- The electric plug for connection to the semi-trailer shall have a 7 pole plug;
- Whenever the semi-trailer is coupled to the tractor-truck, check:
 - If the lights (especially the reverse gear light) are functioning well. In case they are not, test the electric system of both, the tractor-truck and the semi-trailer;
 - If the axle lift is functioning well when the vehicle is operated in reverse gear.



Attention:

Before moving the set (vehicle + semi-trailer) in reverse, make sure that the axle is suspended. This will prevent the self-steering system from turning, which can cause damages to the self-steering system, suspension, tires and chassis.

INDEPENDENT PNEUMATIC SUSPENSION

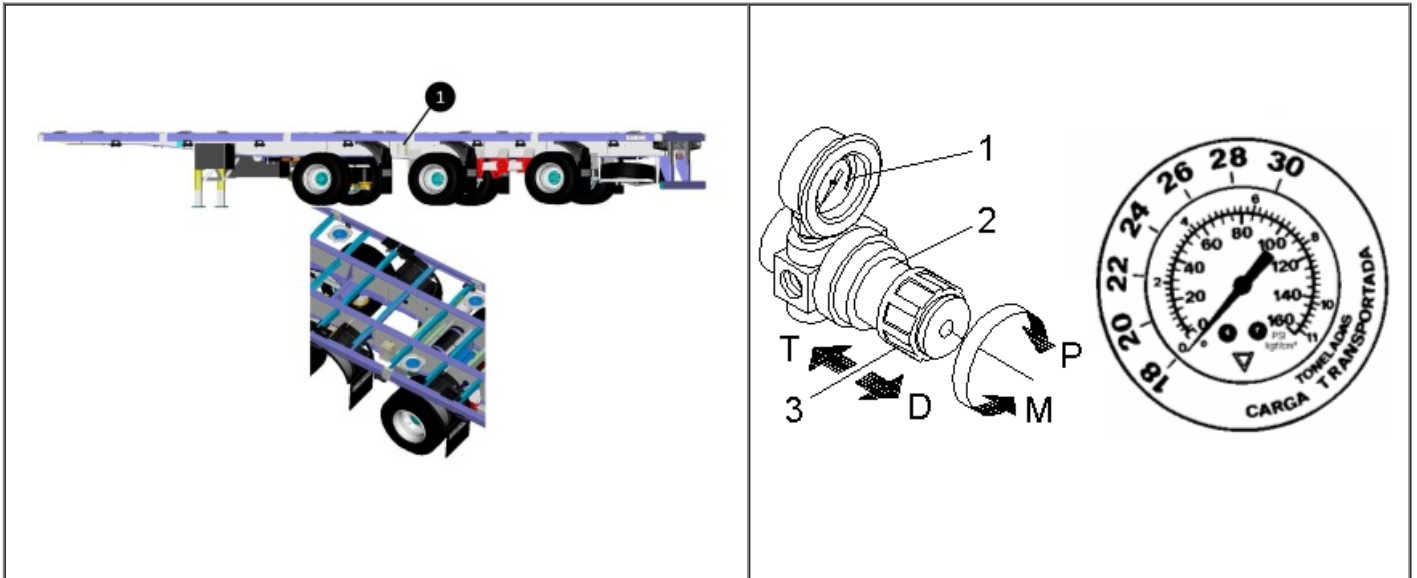
The RANDON semi-trailers equipped with pneumatic suspension may present the following suspension configurations:

- **3 Axles (1st Pneumatic Axle + 2 Mechanical Axles):** 1st axle with pneumatic suspension and the 2nd and 3rd axles with mechanical suspension.
- **1+2 Axles (1st Spaced Pneumatic Axle + 2 Mechanical Axles):** 1st axle with pneumatic suspension spaced in relation to the 2nd and 3rd axles, which are equipped with mechanical suspension.
- **1+2 Axles (1st Spaced Pneumatic Axle + 2 Pneumatic Axles):** 1st axle with pneumatic suspension spaced in relation to the 2nd and 3rd axles, which are equipped with pneumatic suspension.
- **1+1+1 Axles (1st Spaced Pneumatic Axle + 2 Spaced Pneumatic or Mechanical Axles):** 3 spaced axles, the first one with pneumatic suspension and the 2nd and 3rd ones with either pneumatic suspension or mechanical suspension.

In these configurations, we consider the 1st axle suspension as an Independent Pneumatic Suspension, as in these cases the adjustment of height and load on this axle is controlled by the Load Adjusting Valve.

Load Adjusting Valve

The adjustment of load on the pneumatic suspension is performed through the Load Adjusting Valve (ind. 2). The Load Adjusting Valve is located on the chassis left side and has the function of adjusting the pressure of the suspension pneumatic springs according to the load to be transported.



Load Reading: Load reading is made through the table located next to the manometer (ind. 1), which informs the approximate ratio between pressure and transported useful load.



Note:

When traveling, check often if the pressure of the suspension pneumatic springs does not change. The pressure in the manometer (ind. 1) must be the same as the pressure adjusted before loading. If the pressure is different, make a new adjustment.

**Comment:**

These pressures are calculated theoreticians and for a distributed load, in the normal conditions of project. Variations of pressure will be table to happen in the normal conditions of works in function of the type of mechanical horse, type of load and the load distribution.

Pressure Table - Autodirectional Axle

	Tractor Vheicle 4x2 - Traction Semi-Trailer 01+02	Tractor Vheicle 4x2 - Traction Semi-Trailer 01+01+01	Tractor Vheicle 6x2 (6x4) - Traction Semi-Trailer 01+02	Tractor Vheicle 6x2 (6x4) - Traction Semi-Trailer 01+01+01
Liquid Load	Pressure (in bar)			
17.000 kg	3,0	3,2		
18.000 kg	3,2	3,4		3,1
19.000 kg	3,4	3,5		3,2
20.000 kg	3,6	3,6	3,0	3,3
21.000 kg	3,7	3,7	3,2	3,4
22.000 kg	3,9	3,8	3,3	3,5
23.000 kg	4,1	4,0	3,5	3,6
24.000 kg	4,2	4,1	3,6	3,7
25.000 kg	4,4	4,2	3,8	3,8
26.000 kg	4,6	4,3	3,9	3,9
27.000 kg	4,8	4,4	4,1	4,0
28.000 kg	4,9	4,6	4,2	4,1
29.000 kg	5,1	4,7	4,3	4,2
30.000 kg	5,3	4,8	4,5	4,3
31.000 kg	5,4	4,9	4,6	4,4

32.000 kg		5,1	4,8	4,5
33.000 kg		5,2	4,9	4,6
34.000 kg		5,3	5,1	4,7
35.000 kg			5,2	4,8
36.000 kg			5,4	4,9
37.000 kg				5,1
38.000 kg				5,2
39.000 kg				5,3

Adjustment of the Load Adjusting Valve

To begin operation, the circuit air pressure of the semi-trailer must be pressurized with a minimum of 6 bar (6 kgf/cm² or 85 PSI).



Note:

To check, please see manometer located on the truck-tractor. The proper indication of the vehicle's pressure must be regulated with a minimum of 6.5 bar.

Adjustment Instructions:

- To unlock the valve, pull crank (ind. 3) towards "D".
- To increase pressure, turn the crank (ind. 3) clockwise (ind. P);
- To decrease pressure, turn the crank (ind. 3) anticlockwise (ind. M);
- To lock the valve, push crank (ind. 3) towards "T";



Note:

The higher is the pressure indicated in the manometer, the higher is the load on the axle; the lower is the pressure indicated, the lower is the load on the axle.



Important:

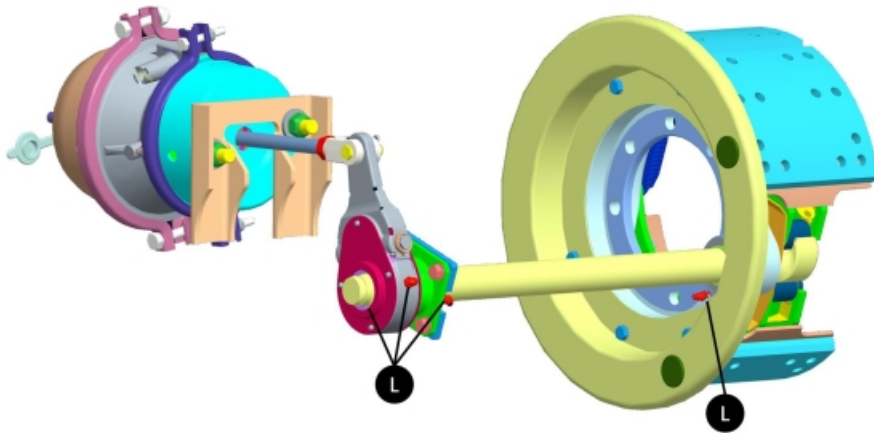
For further information about the regulation of the load control valve that equips your Randon semi-trailer, in terms of operation and maintenance, go to RANON Distribution Network.

BRAKE SET

Brake Master "S" Cam, "Q-Plus" series with tubeless system, actuated by compressed air. The shoes are mounted on independent anchoring pins and operated by the camshaft.

They feature semi-circular open at the anchoring pins which allow "fast replacement".

The "Q-Plus" Series have a diameter of 16 " x 8", with tapered linings.



Note:

Check periodically all brake components, especially those which are subject to friction and regular wear, such as: brake linings, springs, drums, seals, etc., always replacing them by RANDON genuine parts when recommended by RANDON or whenever necessary.

It is recommended the use of brake drums up to a maximum of 3 mm above the original diameter.

Original diameter = 419,20 mm

Maximum diameter = 422,20 mm



Important:

The disc axles (with disc hub) allow less ventilation on the wheels, causing the performance - more or less heating of the wheels

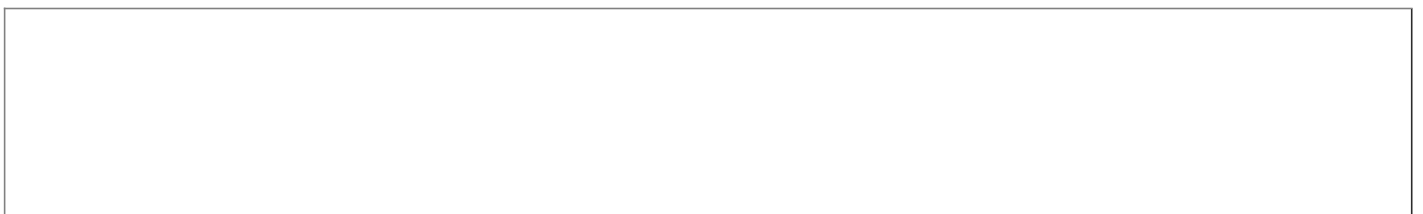
- To depend exclusively on the way the driver uses the brakes of the tractor truck and semi-trailer set. Incorrect utilization may lead to overheating and resulting serious damage of components such as the hubs, drums, hangers (bearings), brake components and even the tires.

LUBRICATION OF THE BRAKES

To severe application, the lubrication must be performed at every 15 days, and 30 days to normal application, like the suggested picture below.

ADJUSTMENT OF THE BRAKES

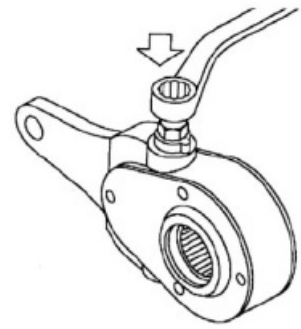
RANDON recommends adjusting the brakes every 2,000 km



**Note:**

Manual Slack Adjuster Turn the regulating bolt until the linings touch the brake drum, return the regulating bolt (1/4 turn).

For a perfect adjustment and efficiency of the brake, carry out the adjustment with the axle raised and with brakes cold.



Replacement of the Brake Linings

Brake linings must be replaced when they reach approximately 7mm of thickness ("X"), since from this point on the rivets will rub on the brake drum, damaging its inner surface and jeopardizing the whole set. This may cause total loss of the brake capacity.

For the effective functioning of the brake system, RANDON recommends:

- checking periodically the wear of the brake linings by examining the dustshield plugs (ind.1);
- replacing all brake shoes springs on a mandatory basis (ind. 2 and 3) at every replacement of the brake linings;
- using only genuine brake linings, rivets and springs.

**Note:**

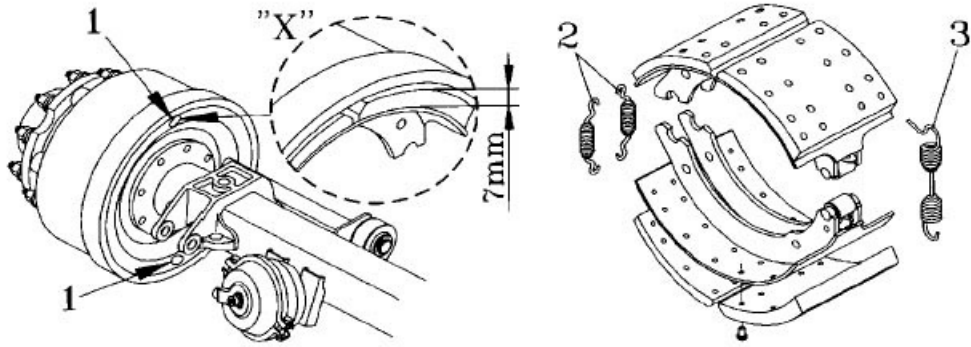
Wear on the brake linings is associated to several factors such as:

- **Characteristics of the area where the equipment is operating;**
- **Weight of the load being transported;**
- **Manner in which the equipment is used by the operator.**

Therefore, it is impossible to determine the mileage limit within which the brake lining will last. Therefore, premature wear of the brake linings is not covered by the warranty.

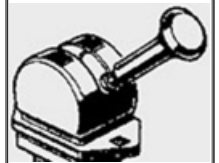
**Important:**

- RANDON recommends replacing the brake linings at your Authorized Net, thus assuring the use of genuine components and tools and the correct procedure;
- Even though the brake linings, rivets and springs are not covered by the warranty of the equipment, RANDON does not hold any responsibility on the non-observance of the above recommendations, as well as on the consequences thereof.



Attention:

Randon warns that the use of brake handle during breaking, overload the brake system because only trailer brake is applied reducing the life and/or damaging components as: brake, coupling and suspension.



BRAKE AIR SYSTEM

The brake air system of RANDON equipment is in conformity with the traffic legislation in force and it is approved and tested in its original configuration, reaching the efficiency required by Resolution 777/93, of CONTRAN.



Important:

In order to maintain performance the closest possible to its original condition, RANDON recommends using RANDON original parts and components during replacements.



Attention:

The utilization of parts and components of brands and specifications different from the original ones or any alteration in the pneumatic system holds RANDON free from any responsibility.

The brake air system consists of two air lines which interconnect the tractor-truck to the equipment with the purpose of actuating the brakes of the semi-trailers.

These two lines are:

Service Line: it is actuated by means of the brake pedal or by a hand brake, releasing air from the reservoir to the brake chambers and thus applying the semi-trailer or the set;

Emergency Line: it continuously keeps the air reservoir loaded.



Comment:

A pressure difference between the tractor-truck and the semitrailer should not exceed 0,4 bar for the semi-trailer. A different regulation will affect the performance of the set brake system. In case you find a different number when checking, please visit your tractor-truck dealer in order to regulate correctly the control valve that distributes air to the brakes of the tractor-truck and semi-trailer.



Note:

- The pneumatic system of the semi-trailer features a double-retaining valve (ind.14) which avoids double actuation of the brake, that is, of the service chamber and of the emergency chamber together;
- The pneumatic system of the semi-trailer features a pressure valve (ind.10) that checks pressure.



Attention:

The valves for releasing the semi-trailer (ind.7), parking it (ind.8) and of the air axle lift (ind.9) are located inside a specific box located at the equipment left side.

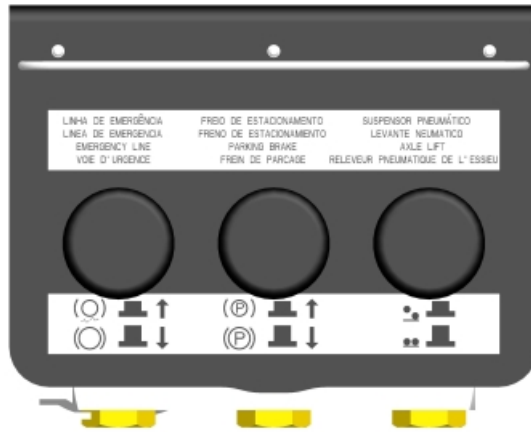
Instructions to Use the Air System

The brake air system of RANDON semi-trailers feature valves and equipment that must be used correctly for better performance and safety to the equipment.



Note:

In the Interlink Semi-trailer, all operating instructions shall be followed in both the front and back-up semi-trailers.



Valves	Operation	Function
Emergency Line	Press to release	To move the trailer when it is not coupled to the truck-tractor.
	Pull to activate	
Parking Brake	Press to release	To engage the parking brake of the semi-trailer.
	Pull to activate	
Air Axle Lift	Press to lift	To lift the semi-trailer axle (if equipped with air axle lift).
	Pull to lower	

With the Semi-Trailer Coupled

Before driving the semi-trailer away, drain the semi-trailer by means of the parking valve (ind. 8).

When parking, brake mechanically the semi-trailer by means of the parking valve (ind. 8).

With the Semi-Trailer Uncoupled

When uncoupled, the semi-trailer should have the brakes applied. The pneumatic system features valves that control the parking brake, either applying or releasing the brakes in case you need to move the semi-trailer when it is uncoupled from the tractor-truck.

Braking the Semi-Trailer when Uncoupled

When the semi-trailer is uncoupled, the emergency relay valve (ind. 3) of the semi-trailer operates its emergency function, applying all the brakes of the semi-trailer, but even so it is necessary to brake it mechanically.

To do this, turn the parking valve (ind.8) to PARK position, which will mechanically brake the semi-trailer by means of the spring brake chambers. Then, activate the movement valve button (ind.7).

Moving the Semi-Trailer when Uncoupled

To move the semi-trailer when uncoupled, the button of the valve responsible for releasing the semi-trailer (ind.7) must be pressed down and then the parking valve must be activated (ind.8) in order to release the brakes of the semi-trailer.

Coupling the Semi-Trailer

When coupling the semi-trailer, the valve responsible for releasing the semi-trailer (ind. 7) is activated automatically when the signal coming from the tractor-truck emergency line is received. Therefore, you have only to release the spring parking brake by means of the parking valve (ind.8).



Before releasing the parking brake of the semi trailer, check if the parking brake of the truck is activated.



Note:

- For all functions of the brake pneumatic system of the semi-trailer to function correctly, the air reservoir should have a minimum pressure of 7 and maximum of 10 bar (please note indication on the sticker).
- The performance of the semi-trailer pneumatic system depends on the pressure delivered by the tractor-truck, as well as on the quality of the air sent.



Attention:

When, for any reason, the air pressure drops beyond the minimum, the pneumatic system will activate automatically its emergency function, rear the semi-trailer.

BRAKE SYSTEM

Make sure that the pressure is between 8 and 10 bar to operate the air brake system



Cares to be Taken with the Brake Pneumatic System

In the Interlink Semi-trailer, all recommended cares shall be taken in both the front and back-up semi-trailers.

- Drain the air reservoir daily before releasing the semi-trailer. To this end, activate the air-drain valve (ind.11), located at the lower part of the air reservoir.



Attention:

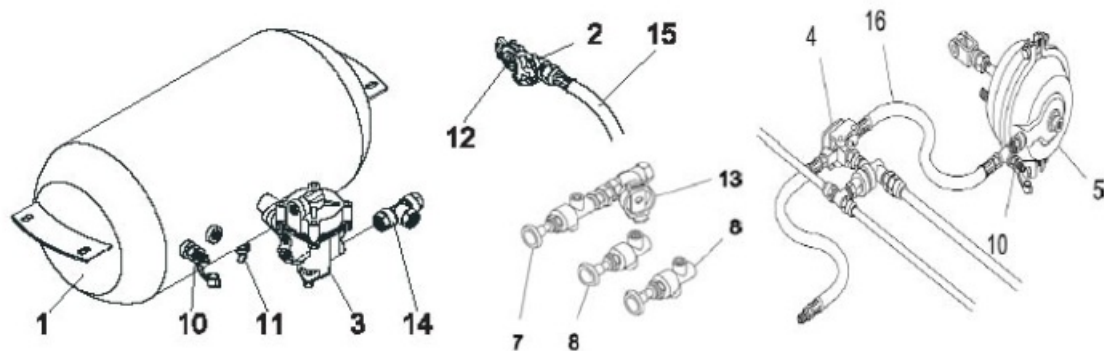
accumulation of water in the air reservoir damages the components of the pneumatic system

- Check the air hoses (ind. 15) that connect the tractor-truck to the semitrailer daily;
- Check and clean, on a weekly basis, the filter (ind. 13) located at the emergency line next to the valve responsible for releasing the semi-trailer (ind.7) and replace it when necessary;
- Check the sealing rings (ind. 12) of the air couplings (ind.2) monthly and replace them when they show wear, cracks or air leakage;
- Check the flexible hoses (ind.16) connecting the quick relief valves (ind.4) and the brake chambers (ind.5) monthly;
- Test monthly the functioning the emergency relay-valve (ind.3) when the brake system is working. In case there is leakage or malfunctioning, visit immediately one of the RANDON Authorized service outlets;
- Check possible air leakage in the quick-discharge valves (ind. 4) when the brakes are applied. In case of leakage, replace the diaphragm (valve repair).

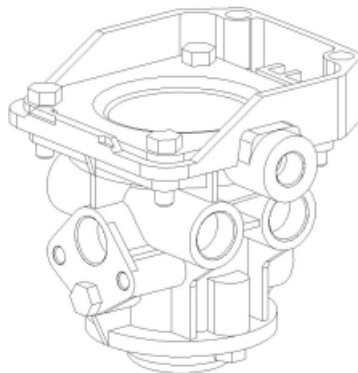


Note:

RANDON recommends performing overhauls and maintenance services on the pneumatic system at one of RANDON Authorized service outlets.



HPC System (High-Performance Concept)



Randon equips its double-type trailers with the HPC system. This system has been designed to provide better distribution of the braking force to the trailers, with the following advantages:

- Increase in the efficiency level of the brake;
- Time reduction in brakes response;
- Braking balance with the other semi-trailers in case of compositions;
- Simplification in brake system components, freio (it is not equipped with quick-relief valve);
- Allows interchangeability of equipment without affecting the brake performance in case of compositions;



Comment:

For trailers equipped with the HPC system, Randon recommends that you use Randon original valves only, since there is a performance difference in relation to similar valves found in the market.

Load-Sensing Valve

The load-sensing valve, located in the dolly, is responsible for adjusting the service brake pressure to any loading condition of the vehicle, as long as the load capacity specified for the vehicle is respected.

All trailers/semi-trailers leave the factory with the valve properly adjusted. When you need to make any repairs and/or replacements, contact the Randon Service Dealer nearest you.

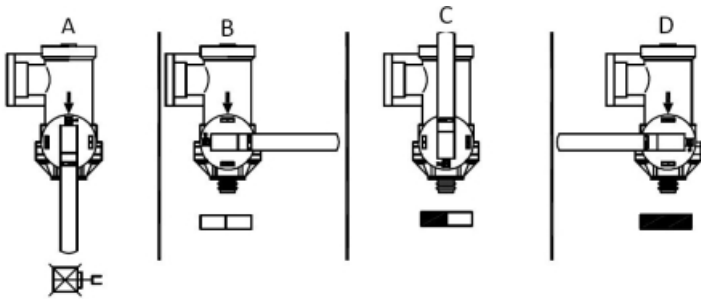
Carefully follow the procedures recommended for operation of the load sensing valve:

A position = Releasing Position (Dolly and the second semi-trailer without brake);

B position = unloaded (use this position when only the previous semi-trailer is loaded and under low-friction road conditions);

C position = Half-loaded position (use this position when only the previous semi-trailer is loaded);

D position = Loaded position (Use this position when both semi-trailers are loaded, or when both semi-trailers are unloaded).



ELETRICAL SYSTEM

The electrical system is intended to signal the front and rear semi trailer when braking, indicating directions, alerting and signaling at night. The system connects the truck-tractor to the semi-trailer by means of connections and electrical cable.

The electrical systems of RANDON trailers and semi-trailers comply with the current traffic legislation and are tested and approved in their original configuration, according to resolution 294/08 of CONTRAN.

Its basic composition is:

- Electrical harnesses protected by plastic hoses;
- 7-pole electric plug (standard);
 - Electric outlet male (ind.3);
 - Electric outlet female (ind.4);
- Rear lights (ind. 1);
 - Position lights;
 - Brake lights;
 - Turning lights - right and left (blinkers);
 - Back-up lights
- Reflecting lights (ind. 6);
- License plate lights (ind. 5);
- Triangle-shaped reflective lights;
- Internal lights for vans.



Attention:

The perfect lighting system contributes to a reduced accidents rate. COOPERATE!



The connections and meanings of the electric connection plugs are:

Nº	Location/ Description	Wire Color
1	Body (ground)	White
2	LH rear side position	Black
3	Left turning	Yellow

4	Brake	Red
5	Right turning	Green
6	RH rear side position	Brown
7	Rear light	Blue

For system electric with lamps, use the powers listed below:

Light license plate: 2W - Light side position: 5W - Light rear position:10W - Light side direction: 10W - Light rear direction:15W - Light Brake: 15W - Light rear:21W



Important:

- Check harnesses and lights monthly;
- Keep the electrical connections always clean;
- Keep the same power and voltages when replacing lights.
- Bear in mind that the good performance of the system depends on the electric power (voltage / amperage) conditions, which are provided by the truck-tractor.



Attention:

For 24-volt truck tractors with LED recognition problems, a LED recognition kit shall be mounted on RANDON Distributors Network only, when the need arises.



Comment:

To clean the rear module and rear lights, use only mild soap and water. Do not use abrasive materials.

SEMI-TRAILER COUPLING SYSTEMS

The coupling of the front and / or rear semi-trailer to the tractor-truck is made by means of the fifth-wheel and a flanged 2" king-pin (Standard NBR NM ISO 337), or flanged 3.1/2" king-pin (NBR NM ISO 4086), guaranteeing coupling to any fifth-wheel of the same size.



Attention:

RANDON recommends taking special care regarding these components, as they support all the traction load of the set semi-trailer and tractor-truck.

Adjustments in the Coupling System

The locking mechanism of the fifth-wheel and king-pin is, according to the use to which the tractor-truck is exposed to and to the service level it receives, subject to wear. Wear is shown through slack movements inside the locking mechanism.

The locking device of the JOST fifth-wheel features manual adjustment to compensate for wear and extend its durability.



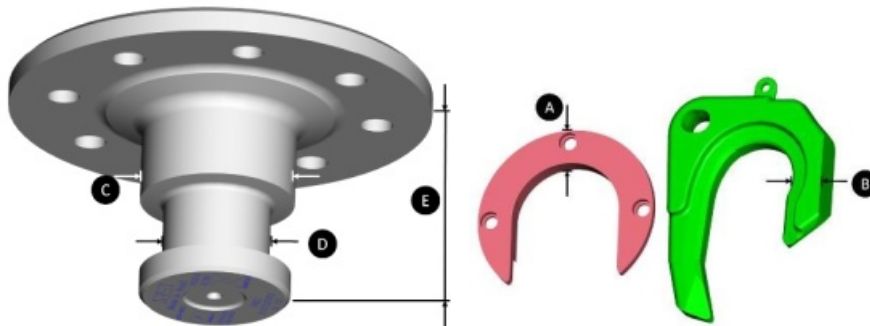
Note:

In the Interlink semi-trailer, all instructions shall be followed in both the front and rear semi-trailers.



Important:

Before adjusting the lock jaw, measure the wear of the king-pin and wear of the locking assembly, as shown in the figure. When the minimum values are reached, the components should be replaced.



	2" KING-PIN		2" LOCKING SET		3.1/2" KING-PIN		3.1/2" LOCKING SET	
	MINIMUM (mm)	NEW PART (mm)	MINIMUM (mm)	NEW PART (mm)	MINIMUM (mm)	NEW PART (mm)	MINIMUM (mm)	NEW PART (mm)
A dimension			30,50	33,50			36,00	38,00
B dimension			17,50	19,00			35,50	37,00

C dimension	71,00	73,00			112,00	114,00		
D dimension	49,00	50,80			86,00	89,00		
E dimension	82,50	84,00			72,00	74,00		

After replacing the king-pin, check for slack in the king-pin locking system as follows:

- Couple the semi-trailer to the tractor-truck;
- Start the tractor-truck with the brakes of the semi-trailer applied, checking if there is still slack in the locking system of the fifth-wheel with the king-pin;
- If the slack persists, it is an indication that the locking system components of the fifth-wheel need adjustment or are worn. In this case, re-adjust correctly or replace the worn components of the fifth-wheel.

Procedure to adjust slack in the JOST fifth-wheel model SK 37C

- Loosen the regulating screw (bolt) and the nut;
- Unscrew the regulating screw (bolt) until it does not touch the top of the locking bar any longer;
- Hit slightly on the handle rod so the locking bar reaches its final position;
- Keeping the handle pressed forward, turn the regulating bolt to the right (clockwise) until the handle starts to move out, then screw (bolt) the adjusting bolt 1 ½ turn clockwise check it.

Procedure to adjust slack in the JOST fifth-wheel SK 38 C1 and SK 38 C1-2

- Loosen the nut and the screw (bolt);
- Hit slightly on the handle rod so the locking bar reaches its final position;
- Tighten the turn until any slack between the levers is eliminated and in such a way that only the locking bar can move;
- Tighten the screw one turn and then tighten the nut.

Maintenance Instruction



Note:

In the Interlink Semi-trailer, all instructions shall be followed in both the front and rear semi-trailers.

1. Uncouple the semi-trailer at least once a week or after 5,000 km in order to:
 - Clean the semi-trailer pick-up plate and the upper plate of the fifth-wheel;
 - Lubricate the top plate, the locking mechanism, the lock of the fifth-wheel and the king-pin. Use grease recommended by RANDON;
 - Check the crank handle and release the lock to allow free movement. Clean and lubricate

2. Inspect monthly the coupling system:

- For deformation or cracks on the fifth-wheel, king-pin, pick-up plate and bolts;
- Replace the king-pin whenever wear exceeds the minimum measure allowed. RANDON does not recommend re-using the worn king-pin, even if it is re-positioned;
- Keep the bolts (ind. 2) of the king-pin (ind. 1) duly tightened;
- Check the torque on the screws of Ø2" king-pin (torque of 18-20 kgf.m);
- Check the torque on the screws of Ø3.1/2" king-pin (torque of 26-28 kgf.m);



Attention:

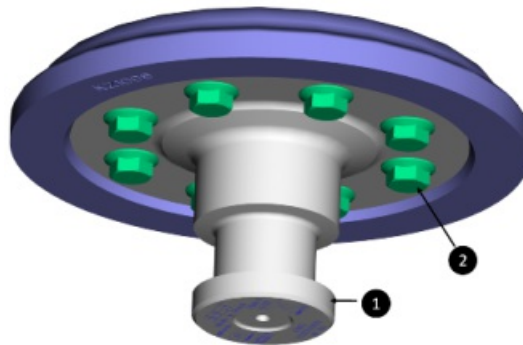
Check king-pin fastening on a weekly basis



Note:

Replace all the bolts (ind. 2) whenever you disassemble or replace the king-pin.

Use only original bolts according to 10.9 grading.



Coupling Procedure

The coupling procedure described below refers to equipment fitted with JOST fifthwheel and flanged king-pin.

Notes regarding the Interlink Semi-Trailer

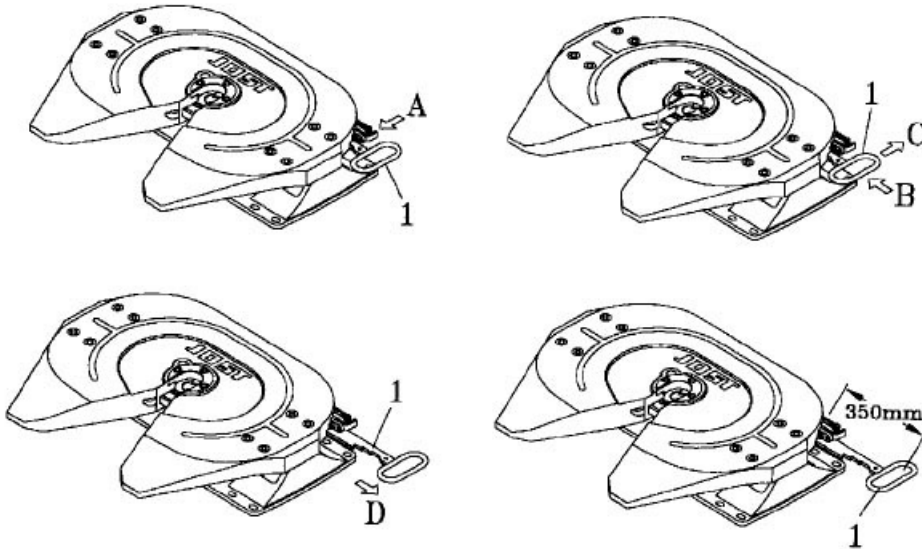
All coupling maneuvers shall be performed in both the front and rear semi-trailers.

The unloaded semi-trailers can be coupled and/or uncoupled either together or individually to and/or from the tractor-truck.

Coupling the Semi-Trailer:

- The semi-trailer must be on a flat and regular surface;
- Release the lock (ind. A) of the crank handle (ind. 1);
- Prepare the fifth-wheel for coupling the king-pin by pushing the crank handle (ind.1) forward (ind.B) and unlocking it (ind. C). Then pull all the way out (ind. D).
- Causing the crank handle to be approximately 350mm out;
- Check the height of the pick-up plate and the fifth-wheel upper base. The plate should be approximately 50mm lower. This procedure must be followed mainly in equipment fitted with pneumatic suspension (air springs), since any pressure loss can change these measures;
- Back up the tractor-truck slowly and perform the lockup. The fifth-wheel mechanism will lock automatically;

- Make sure the pick-up plate base is fully backed on the fifth-wheel base plate and that the crank handle (ind. 1) is fully retracted;
- Connect the pneumatic system hoses and the electrical cable;
- Apply the semi-trailer brake and make sure that lockup was duly performed by driving a little forward;
- Retract the landing-gear;
- Release the parking brake.



Attention:

Move the semi-trailer only after making sure that lockup was performed. Check also if the brake and the electrical systems are functioning well.

Uncoupling the Semi-Trailer

- Position the semi-trailer on a flat and regular surface;
- Lower the landing gear according to specific instructions;
- Disconnect pneumatic system hoses and the electrical cable;
- Release the lock (ind. A) of the crank handle (ind. 1);
- Push the crank handle (ind. 1) forward (ind. B), unlocking it (ind. C). Then pull it all the way (ind. D), causing the crank to be approximately 350 mm out;
- Drive the tractor truck away slowly. The fifth-wheel mechanism will perform the lockup automatically (ind.D).



Attention:

The Interlink combination has been designed and structured to be used with the two semi-trailers coupled to each other, that is, forming a set and thus allowing a greater CGVW (total combined gross weight) according to traffic legislation. If the units are used separately, the front semi-trailer, if loaded, may overturn when being uncoupled from the tractor-truck, since it has not been designed to be used this way.

In the Interlink, the position of the landing gear on the chassis, allied to the position of the gravity center of the front semi-trailer, may pose the same risk when being uncoupled, if loaded.

In order to avoid the risk of accident / overturning of the front semitrailer, RANDON determines that it may not be uncoupled from the rear semi-trailer when loaded and when not coupled to the tractor- truck.



Note:

On soft grounds, RANDON recommends the use of transversal boards underneath the landing gear shoes, preferably wider than the landing gear shoes.

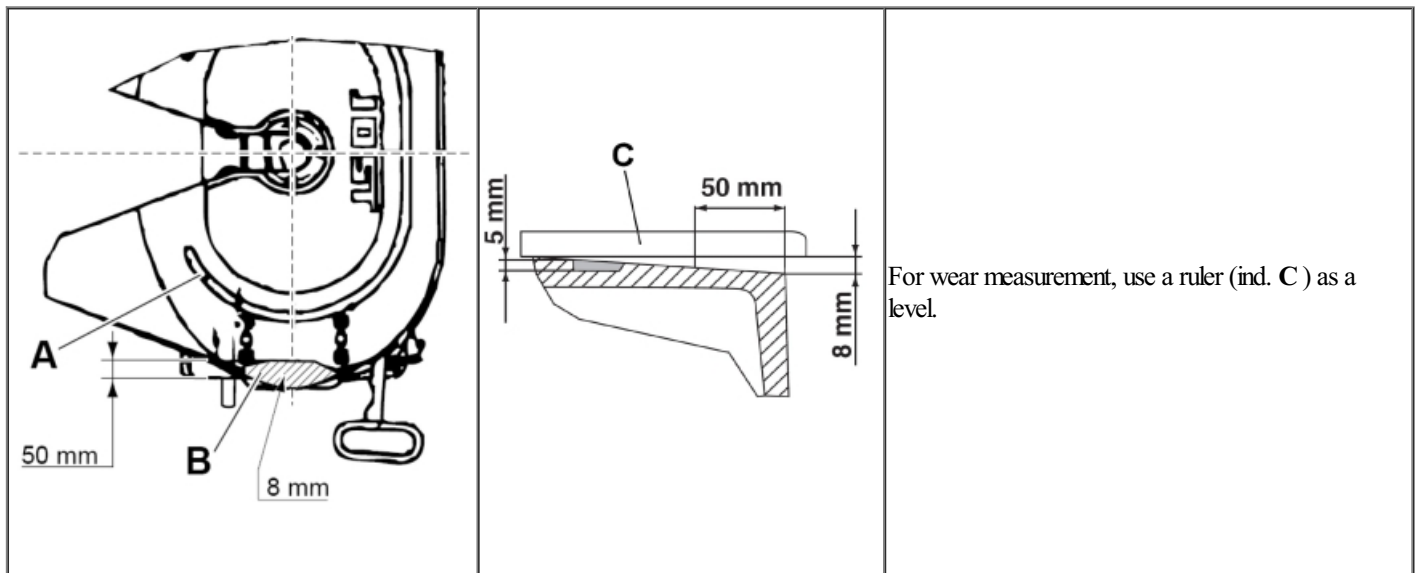


Note:

RANDON does not recommend to use weld on the fifth wheel either in its components, otherwise it may cause bad performance of the equipment and you could lose the warranty.

Maintenance

Check the wear block of fifth-wheel block. If wear block is comes to the level lubrication groove (ind. A) at any point, the block must be replaced. In the shaded area (ind. B), is acceptable the wear until 8 mm, which can be measured from 3 mm below lubrication groove.



Turntable

The coupling of the trailer to the tractor-truck is made by means of the coupling fixed on the rear of the tractor-truck and the towing bar of the trailer drawbar.

Special care should be taken with these components, as they are the components supporting all the driving load of the coupled set.

RANDON recommends that you, before releasing the equipment away:

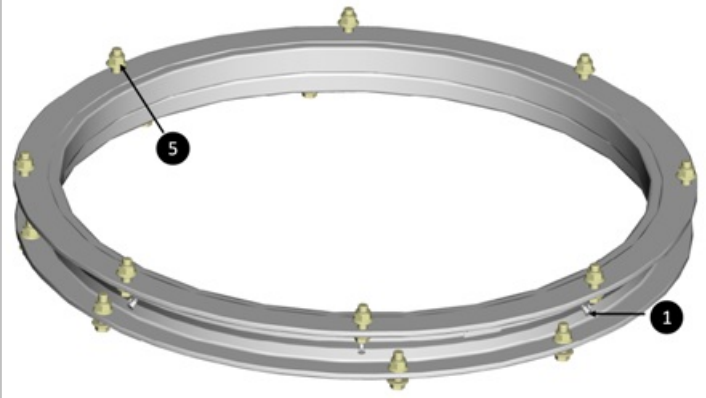
- Check the pneumatic and electric system couplings, as well as the tractor-truck and trailer coupling;
- Check the coupling safety system. Keep the safety chains always coupled, if fitted with this system;
- Do not uncouple the trailer on improper places, uneven or irregular ground or on soft ground;
- Do not uncouple the trailer before releasing the safety chains first;
- Do not move the tractor-truck before making sure that coupling procedure was duly performed.

Trailer Articulation System

The articulation of the trailer front suspension is made by means of the JOST turntable, which is fitted with a sliding system by means of rollers.

RANDON recommends that you do the following:

- Check monthly the articulations of the drawbar and if the turntable is functioning properly, making sure there is no slack;
- Check monthly the turntable fastening by re-tightening the screw (ind.5);
- Lubricate the turntable weekly or every 5,000 km through the lubrication nipples (ind.1) located all around.

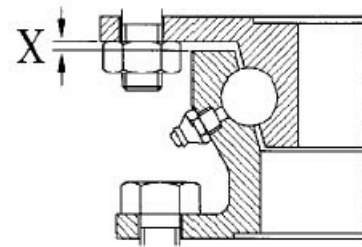


Note:

Depending on the utilization or on the working conditions, lubrication must be performed at earlier periods.

Lubrication of the Turntable

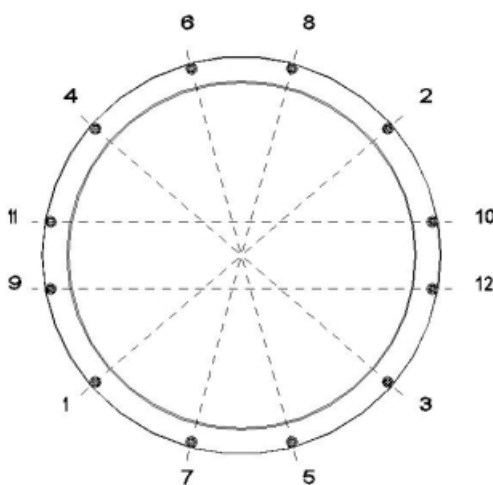
- Inject grease in all lubrication nipples until leaking through the rings;
- Turn the turntable approximately 20 degrees and inject;
- More grease until leaking;
- Repeat the procedure until the turntable gets fully lubricated;
- Use only grease recommended by RANDON.



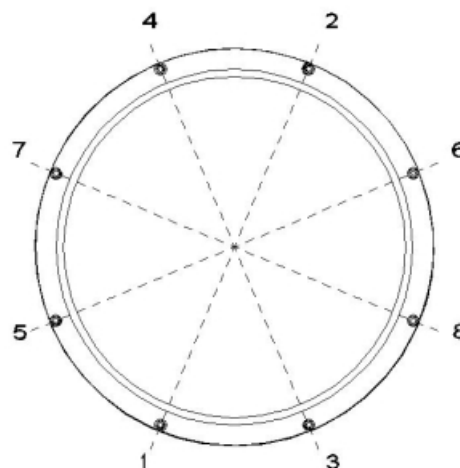
Maintenance of the Turntable

The turntable is a component subject to wear. The limit of wear is reached when the axial slack between the upper and lower rings, which is of 3,5 mm, reaches 0 mm (zero) in any point of the turntable circumference (see dimension X).

The screws torque must be ensured whenever the equipment is operating. To this end, as a maintenance item, the torque must be checked monthly so as to ensure it is within the specified torque of **27 to 31 Kgf·m**, according to the following torque sequence:



Rala 26t.



Rala 16t.



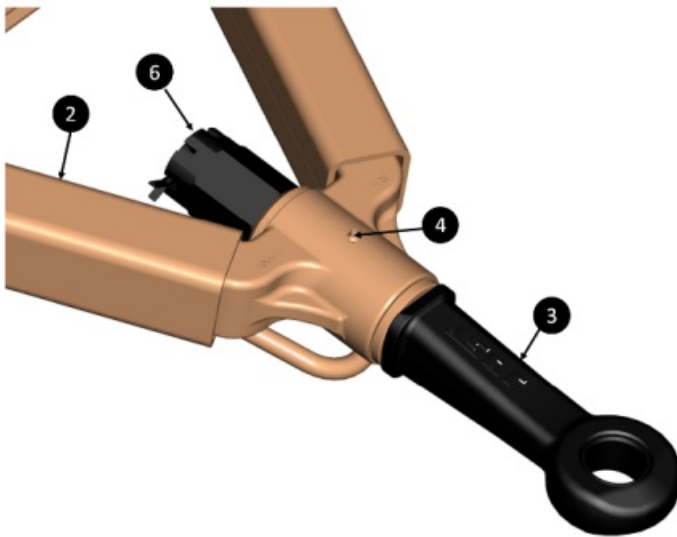
Attention:

FOR TRAILERS/SEMI-TRAILERS AND TRUCK-TRACTORS WITH COUPLING TO TRAILERS AND DOLLIES, CAREFULLY FOLLOW THE OPERATING PROCEDURES AND MAINTENANCE PLANS RECOMMENDED BY RANDON, AS DESCRIBED IN THIS MANUAL, THAT IS, ALL CONTENTS OF THIS MANUAL (INCLUDING INFORMATION IN THE WARRANTY CERTIFICATE UP TO THE TRAILER/SEMI-TRAILER PAINTING) IS VALID FOR TRAILERS/ SEMI-TRAILERS AND DOLLIES.

Towing bar

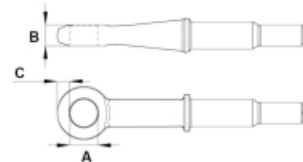
Draw-bars for the towing hitch coupling are manufactured from forged and tempered material. Drawbars are available with or without wear bushing, with eye profile in compliance with DIN 74053-1 Standard. Perform maintenance procedure as indicated:

- Whenever you replace the towing bar, replace also the nut (ind.6);
- Check monthly the adjustment of the nut, item 6, certifying it self of the slack between inexistence.
- Lubricate the towing bar weekly or every 5,000 km (ind.3)through the lubrication nipples (ind.4).
- Periodically check the maximum wear limits of the drawbar and bushing.



If the drawbar wear limit is exceeded, it should be replaced.

The table below presents the dimensions of the new drawbar and the maximum wear limits allowed for drawbars:

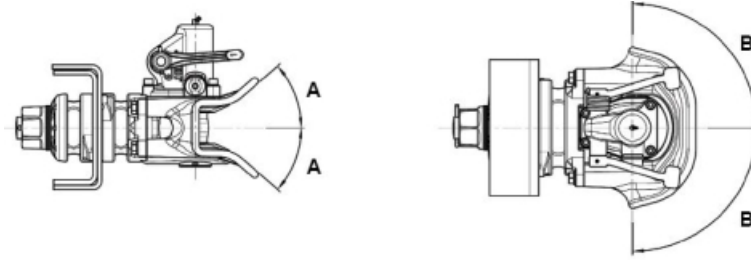


Size	Drawbar with bushing		Drawbar without bushing	
	New Part	Maximum Wear	New Part	Maximum Wear
A – bushing	50,50mm	52,50mm	50,00mm	52,00mm
B – eye	45,00mm	41,50mm	45,00mm	41,50mm
C – eye	27,50mm	23,50mm	32,50mm	28,50mm

Trailer Turning Angle

Whenever you perform a backwards operation (reverse), care must be taken not to exceed the maximum opening angle (75 °) of the coupler jaw, or not to hit the bumper brackets, as it will damage the parts of the assembly or will jeopardize the entire coupling and articulation system of the

trailer. Follow the table below:



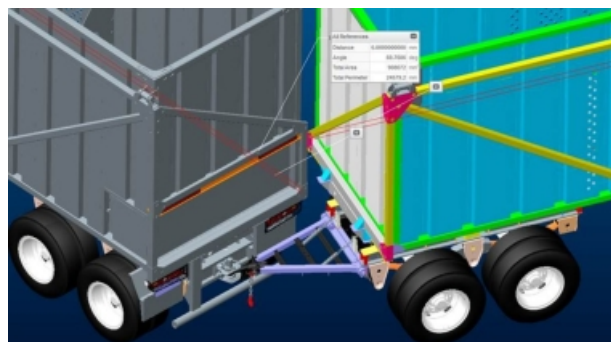
Legenda	Drawbar Free Angle	Maximum angle with deflection of cushions
A	10°	20°
B	75°	90°



Attention:

The horizontal working angle is 90 degrees for each side, according the previous image, but these degrees changing according the segment. Below exists a table with segment and the maximum angle accepted.

Segment	Angle Horizontal
Sugarcane	90°



Automatic Coupling

The Towing Hitch is aimed at coupling truck-tractors to trailers and dollies. Carefully follow the operation instructions and maintenance plan recommended by Randon.

**Note:**

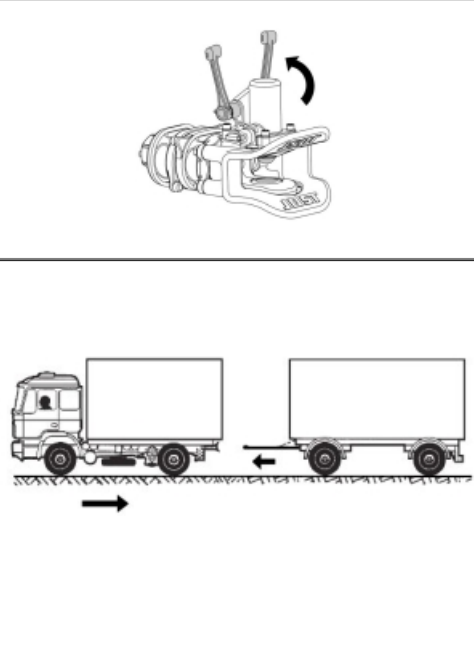
There is no need to use grease between the pin and the drawbar towing bar when using this coupling.

**Important:**

The towing hitch has been developed to mount on cross members of up to 25.4 mm thick. If the application is for smaller-thickness cross members, shims should be used for compensation.

Trailer Coupling Maneuvers

Below we describe guidelines recommended by RANDON for the coupling and uncoupling operations of the trailer.

<ul style="list-style-type: none">• Approach the truck-tractor to the trailer;• Pull both levers up until they are upright. This will lift the pin and make the towing hitch ready for coupling;• Level the trailer drawbar until the drawbar is at the height of the truck-tractor coupling;• Slowly pull back the truck-tractor until coupling is carried out. Usually the truck-tractor coupler is equipped with an automatic coupling system, dispensing with the manual completion of this task. In case it is equipped with a manual device, carry out the additional tasks;• Check if the coupling has been successfully made;• Connect the pneumatic system hoses and the electrical cable;• Engage the safety chains, if this system is in place;• Release the parking brake of the trailer.	 <p>The diagram is divided into two parts. The top part shows a close-up of the truck-tractor coupling mechanism, with a curved arrow indicating the upward movement of the levers. The bottom part shows a side view of a truck and a trailer on a road. An arrow points from the truck towards the trailer, and another arrow points from the trailer towards the truck, indicating the relative movement during coupling.</p>
--	--

**Note:**

Before performing the coupling operation, make sure that the wheels of the trailer are locked, although the steering axle shall remain free to allow the drawbar to slide into the towing hitch, thereby performing the coupling.

**Important:**

The towing hitch is provided with a safety pin system with a locking indicator. After each coupling, make sure the pin on the side of the towing hitch is fully retracted. This indicates that the coupling pin is properly locked. If after the coupling the lock indicator pin is still out of the housing, this means that the coupling has not been properly performed.

Uncoupling the Trailer:

- Part the trailer on a flat and compact place;

- Apply the trailer parking brake and prop up the trailer;
- Disconnect the pneumatic system hoses and the electric cable;
- Uncouple the safety system (chains);
- Release the coupling device;
- Move the tractor-truck forward slowly, concluding the uncoupling operation.

Cleaning, lubrication

The towing hitch moving parts are subject to wear and tear due to operation and application conditions. For the coupling assembly to last longer, it is recommended that every six months the towing hitch locking mechanism should be disassembled so that the movable parts may be cleaned and lubricated. Use heavy-duty grease (EP), lithium-soap based and extreme pressure additive.

On a weekly basis, clean the locking pin and the bushings to prevent the formation of abrasive element which increases wear on the components. Clean also the trailer drawbar eye.

Maintenance

A weekly visual check should be carried out for cracks in the towing hitch components. A measurement should also be performed of the coupling pin and bushings to check the wear limit. The wear maximum limits allowed for the pin and bushings are described in the figure below:

	Item	New Part	Maximum Wear
	A - Bushing top	49.1mm	51.6mm
	B - Bucha botton	43.2mm	45.7mm
	C - Pin	49mm	47.5mm
	D - Pin	48.7mm	46.5mm
	E - Pin	43mm	41.5mm



Comment:

When checking the wear limit of the coupling pin, measure at several points since the pin is subject to irregular wear in its circumference.

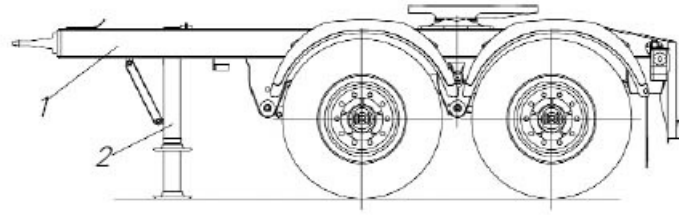
Spherical Coupling for Coupling the Dolly to a Fixed Drawbar

This dolly is fitted with a fixed drawbar (ind.1), providing greater applying stability in curves or maneuvers. It is also fitted with a pneumatic axle lift in the first axle, which avoids the use of the tires when the equipment travels unloaded.

As the fixed drawbar of the Dolly is an extension of its chassis, there is an auxiliary landing gear (ind.2) that facilitates coupling and uncoupling.

The Spherical Coupling of the Dolly with the fixed drawbar transfers a larger vertical load to the coupling of the semi-trailer. The spherical coupling has been specifically designed to stand this vertical load and is suitable for the coupling of this type of Dolly. The spherical coupling allows the towing bar of the dolly to move in any direction (without slack), meeting international standards. This way, the durability of the towing bar and

coupling is longer, reducing maintenance costs and increasing the stability of the coupling operation.

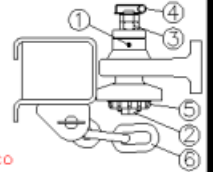


Attention:

The spherical coupling is not automatic. Therefore, please be aware that it is necessary to release the nuts and the screw connecting the towing bar to the spherical pin when uncoupling the Dolly. For correct coupling and uncoupling operations, please follow instruction on the right and the ones written on the sticker fixed next to the coupling.

RANDON

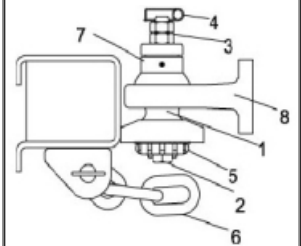
ATENÇÃO



- 1 - Manter o pino esférico sempre lubrificado.
- 2 - O parafuso central não deve sofrer aperto.
- 3 - A porca e contra-porca devem ser apertadas entre si.
- 4 - Manter a joaninha sempre encaixada.
- 5 - Periodicamente verificar aperto da porca castelada.
- 6 - Manter sempre a corrente de segurança engatada.

Coupling the Dolly:

- Approach the front semi-trailer to the Dolly;
- Raise the drawbar towing bar of the Dolly to above the spherical pin with the aid of the landing gear;
- Back up the front semi-trailer until the drawbar towing bar (ind.8) is aligned with the spherical pin (ind.1);
- Lower the drawbar over the spherical pin with the aid of the landing gear;
- Mount the central turn (ind.2), upper closing (ind.7), locking nuts (ind.3) and tighten until eliminating slacks. Place the nut locking safety pin (ind.4) (follow the indications on the sticker):
- Couple the safety chains (ind.6);
- Connect the hoses of the pneumatic system and electric cable;
- Release the parking brake of the dolly (drawing electric coupling).



Uncoupling the Dolly

- Park the semi-trailer on a flat and compact ground;
- Apply the parking brake of the Dolly;
- Disconnect the pneumatic system hoses and the electric cable;
- Disconnect the safety chains (ind.6);
- Remove the the safety pin (ind.4) responsible for locking the nuts, release the nuts (ind 3), disassemble the upper closing (ind.7) and the central screw (ind.2);

- Raise the drawbar towing bar (ind.8) of the Dolly above the spherical pin (ind.1) with the aid of the landing gear;
- Move the front semi-trailer forward slowly, concluding the coupling operation.



Note:

Check regularly the tightening of the nut (ind. 5), whose torque must be between 40 and 43 kg.m

Maintenance Instructions:

The maintenance overhaul and periodicity must be followed according to the table below:

Downtime for Overhaul and Repair

Km limit for overhaul	Items to be inspected	Service to be carried out	Replacement Items
0 km and at every time a new coupling is made	Lubrication of the drawbar with the ball hitch and with the cushioning system	Lubricate, in case there is need for lubrication	EP2 extreme-pressure grease
First 1,000 km	Check for clearance in the castellated nut of the ball hitch (ind 5)	Check if the ball hitch is rotating on the cross member base	
Every 10.000 km	Check for clearance in the castellated nut of the ball hitch (ind 5)	Check if the ball hitch is rotating on the cross member base	

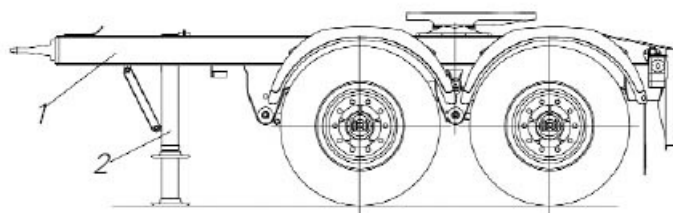
Automatic Ball Hitch for Coupling the Dolly with Fixed Drawbar

This Dolly features a fixed drawbar (ind. 1) which provides the set with extra stability during braking in curves and maneuvers.

It is equipped with an air axle lift in the first axle for economy of the tires when running unloaded.

Considering that the fixed drawbar of the dolly is an “extension” of its chassis, there is an auxiliary landing gear aimed at making the coupling and uncoupling procedures easier (ind. 2).

The ball hitch of the dolly with fixed drawbar transfers a higher vertical load to the semi-trailer towing hitch. The automatic ball hitch has been specifically developed to withstand this vertical load and is used for couplings with this model of dolly.

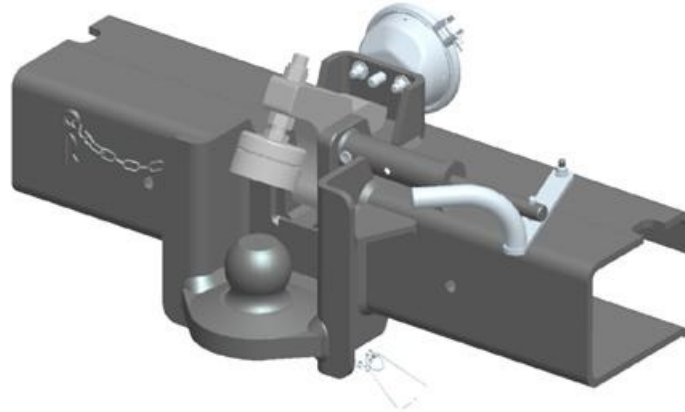


The automatic ball hitch allows the motion of the dolly drawbar in any direction (without clearance), in compliance with international standards. This way, the durability of the drawbar and towing hitch will be longer, reducing maintenance-related costs and increasing the stability of the coupling (hitch).

The automatic ball hitch features a cushioning system that significantly reduces wear on the components, in addition to improving the stability of the vehicle.

Its locking system makes coupling and uncoupling procedures between vehicles easier. The rotating coupling system with locking pin is practical and safe. Once the system is properly adjusted, the coupling operation becomes faster.

The Automatic Ball Hitch must be periodically lubricated and adjusted for its perfect performance, according to “Maintenance Instructions” contained in this Manual.



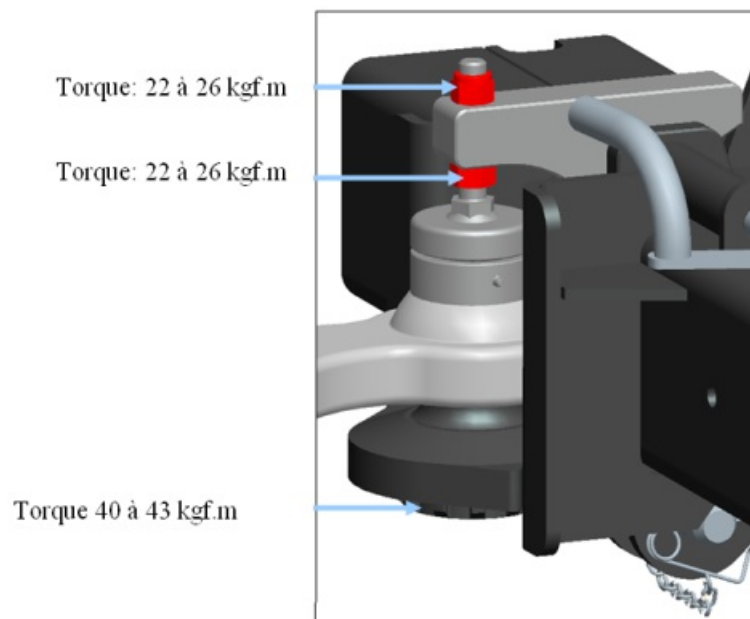
Adjusting the Working Pressure

In order to ensure that the proper lifespan of the components will be reached, as well as the safety of the coupling (hitch), make the first adjustment after running 1,000 km and then at every 10,000 km.

The automatic ball hitch must be adjusted together with the drawbar in order to calibrate the shock-absorber pressure with the cylinder of the activated pneumatic device.

With the drawbar mounted, activate the pneumatic device with the recommended pressure (7 to 9 bar), keeping the pressure in the line. After activating it, release the nuts and adjust the adjusting bolt so that the locking pin may slide freely in its housing. The system will be aligned when the pin is able to slide freely **with the pneumatic device activated**.

When the system is aligned, apply a torque to the nuts as indicated in the figure below:



Attention:

When the pneumatic device is not activated, the pin WILL NOT slide freely, as the cushioning system will be in operation.

Never use welding on any area of the ball hitch.

Coupling the Dolly:

- Park the equipment on a flat and compact ground;
- Engage the parking brake of the dolly;
- Slowly approach the front semi-trailer to the dolly until the boom is aligned with the drawbar.
- Lower the dolly drawbar until the drawbar is completely anchored on the ball hitch. Do this with the aid of the landing gear;
- Activate the pneumatic device. This procedure will align the assembly holes of the safety pin;
- With the safety pin on the closed position, mount the cotter-pin of the locking system. In case it is not possible to mount the cotter-pin, push the pin until the mounting operation is complete;
- Disengage the pneumatic device and anchor the system with the safety chain. The pneumatic device SHALL NOT remain activated during operation;
- Connect the air system hoses and electric cable;
- Release the parking brake of the dolly.



Note:

The pneumatic device SHALL NOT remain activated during operation.



Attention:

When you are approaching the drawbar, the hook shall be in the open position to avoid shocks with the drawbar. In case this happens, the adjusting bolt can be damaged, compromising the safety of the vehicle.



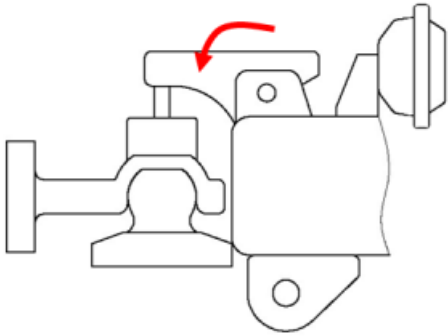
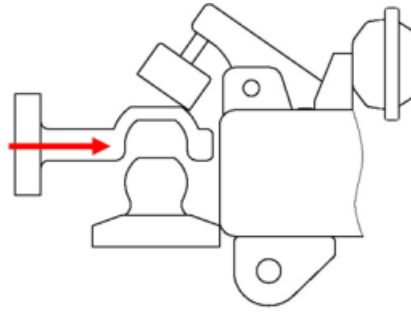
ENGATE ESFÉRICO = Ball hitch

Acoplamento = Coupling

- 1 – Position the drawbar over the ball pin;
- 2 - Lower the coupling (hitching) system over the drawbar;
- 3 - Activate the pneumatic device;
- 4 - Place the safety pin on the closed position (A) and mount the cotter-pin (B);
- 5 - Disengage the pneumatic device and anchor the safety chain.

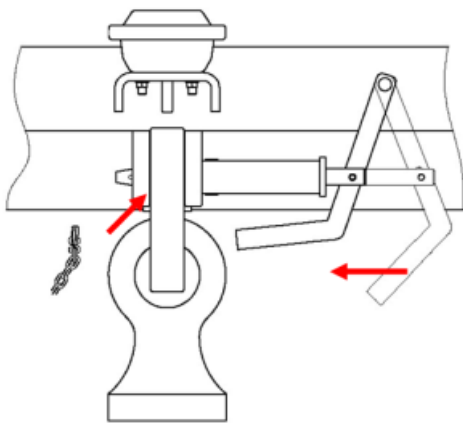
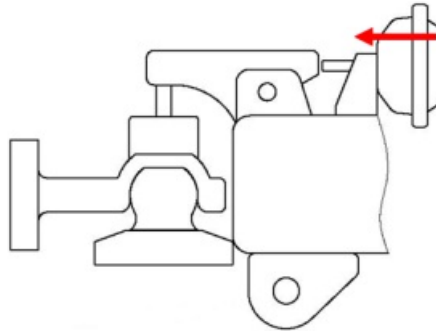
Desacoplamento = Uncoupling

Position the drawbar over the ball pin, lowering the dolly until the drawbar rests completely on the ball pin.



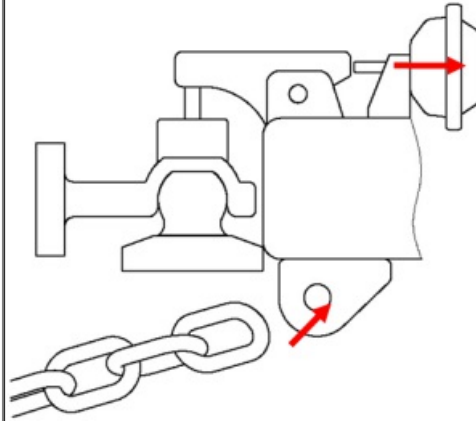
Lower the coupling system over the drawbar and check if it is well centered and seated.

Activate the pneumatic device. This will align the assembly holes of the safety pin.



Position the safety pin on the closed position and mount the coupling system cotter-pin. In case it is not possible to mount the cotter-pin, push the pin until the mounting is complete.

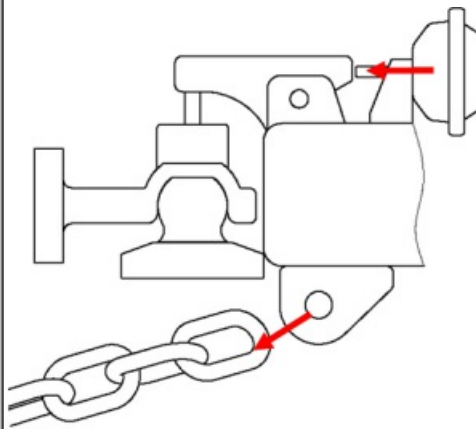
Disengage the pneumatic device and anchor the system with the safety chain. The pneumatic device SHALL NOT remain activated during operation.

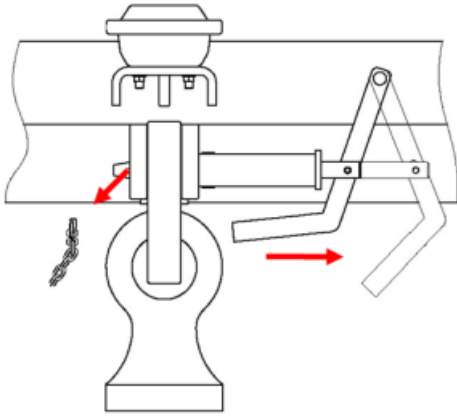


Uncoupling the Dolly:

- Park the equipment on a flat and compact ground;
- Engage the parking brake of the dolly;
- Slowly approach the front semi-trailer to the dolly until the boom is aligned with the drawbar.
- Disconnect the hoses from the air system and electric cable;
- Remove the cotter-pin from the locking system;
- Engage the pneumatic device and move the lever to the right until it reaches the buffer.
- Disengage the pneumatic device and raise the coupling system;
- Raise the dolly drawbar until the drawbar is completely free from the ball hitch. This can be done with the aid of the landing gear;
- Slowly approach the front semi-trailer, completing the uncoupling procedure;
- Lower the coupling system and move the lever to the left, until it is possible to place the cotter-pin into the safety pin.

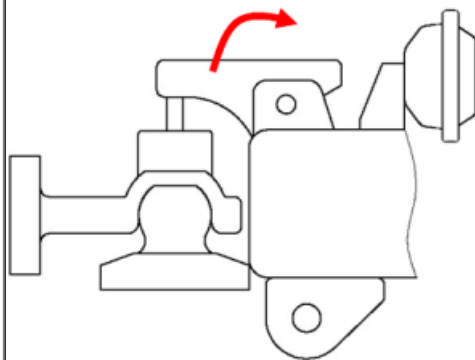
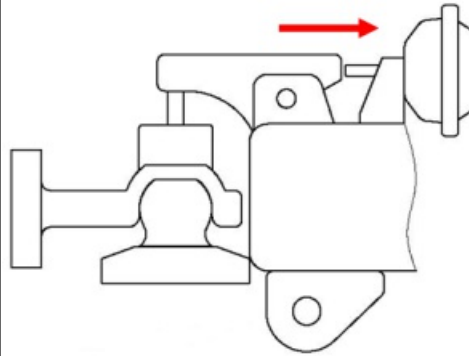
Activate the pneumatic device and release the system with the safety chain.





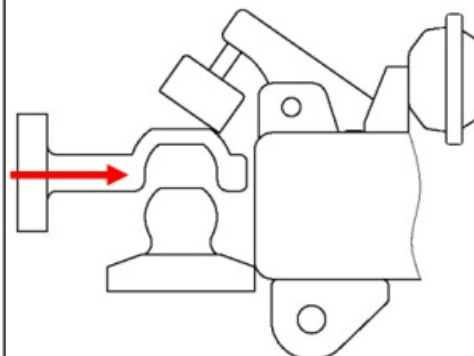
Remove the cotter-pin from the locking system and move the lever to the right until it reaches the buffer.

Release the pneumatic device



Open the coupling system over the drawbar.

Lift the dolly drawbar until the drawbar is completely free from the ball hitch.



**Note:**

Never keep the pneumatic device open during operation.

Maintenance Instructions:

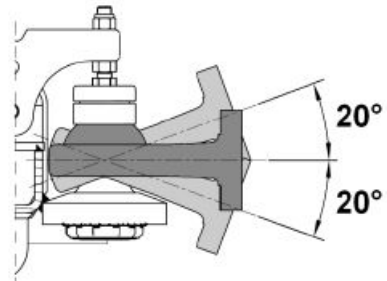
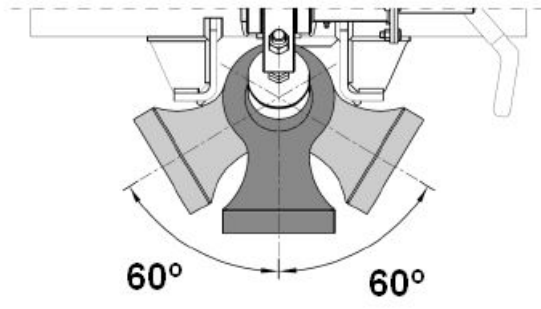
The maintenance overhaul and periodicity must be followed according to the table below:

Downtime for Overhaul and Repair

Km limit for overhaul	Items to be inspected	Service to be carried out	Replacement Items
0 km and at every time a new coupling is made	Lubrication of the drawbar with the ball hitch and with the cushioning system	Lubricate, in case there is need for lubrication	EP2 extreme-pressure grease
First 1,000 km	Adjustment of the cushioning system	Adjustment of the working pressure	
	Check for clearance in the castellated nut of the ball hitch	Check if the ball hitch is rotating on the cross member base.	
Every 10,000 km	Check for clearance in the castellated nut of the ball hitch	Check if the ball hitch is rotating on the cross member base.	
	Adjustment of the cushioning system	Adjustment of the working pressure	
	Lubrication of the locking pin	Lubricate the locking pin through the lubricator.	EP2 extreme pressure grease

Turning Angle - Ball Hitch for Fixed Drawbar

Whenever you perform any maneuver, either forward or backward (reverse gear), or operate the vehicle in areas with steep slopes or elevations, please observe the maximum permitted angles: horizontal (60°) and vertical (20°), thus avoiding the drawbar to hit the ball hitch, which would damage its components and undermine the whole locking system.



LANDING GEAR

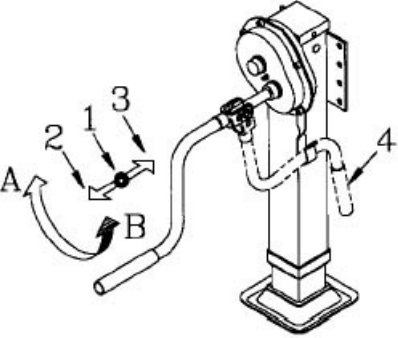
The landing gear has the function of lifting the equipment in order to uncouple the king-pin from the fifth-wheel and support the equipment on the ground after the tractor-truck is uncoupled. RANDON semi-trailers may be equipped with Mechanical or Hydraulic Landing Gears.

Mechanical Landing Gear

RANDON trailers are equipped with JOST mechanical landing gears, which feature two operating speeds: a fast speed to approach the legs to the ground, and a slow speed to lift the load. The change of speed is made by means of the crank. Mechanical Landing Gears are available in two models:

- **B200 Series**

- **B280 Series**

<p>B200 Series:</p> <p>Technical Features</p> <p>Lifting capacity: 24 ton.</p> <p>Static capacity (landing capacity): 50 ton.</p> <p>Lifting by turn: Low speed : 1,0mm</p> <p>High speed: 10, 6mm</p>	
<p>Landing Gear Crank</p> <ul style="list-style-type: none">• To retract the Landing Gear: Turn the crank anti-clockwise “B”.• To lower the Landing Gear Turn the crank clockwise “A”.	

B280 Series:

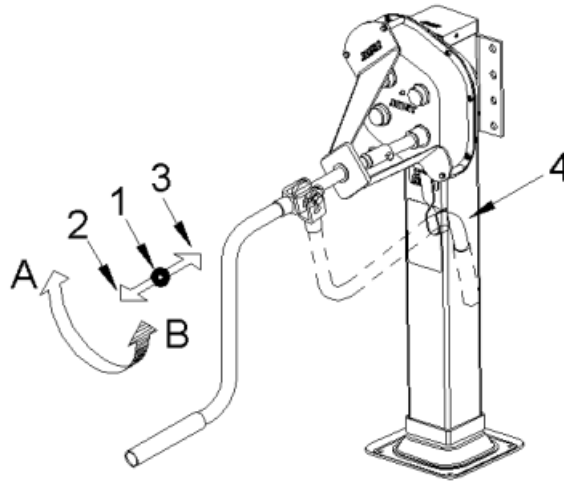
Technical Features

Lifting capacity: 28 ton.

Static Capacity (landing capacity): 50 ton.

Lifting by turn: Low speed: 0,65mm

High speed: 10,6 mm



Landing Gear Crank

- **To retract the Landing Gear**

Turn the crank clockwise “ A ”.

- **To lower the Landing Gear**

Turn the crank anti-clockwise “ B ”.



Important:

Both models bear, on the RH leg, an identification plate and sticker with specific operating instructions.

Operating Instructions:

To retract the Landing Gear

After coupling the tractor-truck to the semi-trailer, according to specific instructions, do the following:

- withdraw the crank from its support (ind. 4);
- retract the landing gear in low speed (ind. 3) until the legs move off the ground by turning the crank according to instructions indicated in the landing gear series.
- change to high speed (ind. 2), retracting the legs by also turning the crank according to instructions indicated in the **landing gear series**;
- return the crank to its respective support (ind. 4) engaged on speed 2 or 3.

To Lower the Landing Gear

Before uncoupling the semi-trailer, observe the following:

- withdraw the crank from its support (ind. 4);
- engage the high speed (ind. 2), approach the legs to the ground by turning the crank according to instructions indicated in the landing gear

series;

- change to low speed (ind. 3) until you get the ideal height for uncoupling, also by turning the crank according to instructions indicated in the landing gear series;
- return the crank to its respective support (ind. 4), engaged on speed 2 or 3;
- uncouple the semi-trailer according to specific instructions for this operation

To avoid damaging the system, make sure that the weight over the landing gear is not greater than the landing gear capacity.

Indications on the figure:

1. Neutral position: intermediary position;
2. High speed: position of the crank on high speed. Use it only for approaching the legs to the ground and for retracting them after use;
3. Low speed: position of the crank on low speed. Use it to lift and lower it when loaded;
4. Locked position: when the vehicle is moving. The gear ratio must be on position 2 or 3.

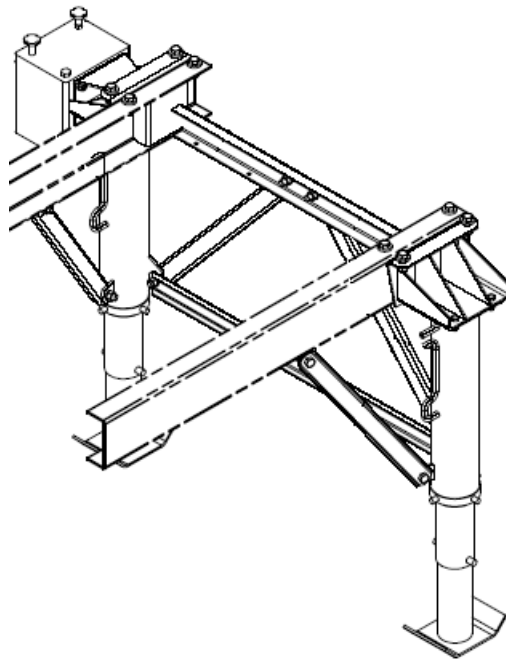


Attention:

Lubrication: on normal conditions, lubricate the landing gear every 120 days or every 40,000 km (minimum).

Hydraulic Landing Gear

The RANDON semi-trailers equipped with Hydraulic Landing Gears may be actuated either mechanically or pneumatically.



Operating Instructions:

Before operating your Hydraulic Landing Gear, read carefully the sticker placed on the hydraulic pump.

Technical Features

Lifting capacity: 32 ton.

Static capacity: (landing capacity): 50 ton with the nut locked.

**Important:**

For further information on the Landing Gear equipping your RANDON semi-trailer (operation, functioning and maintenance procedures), consult the RANDON`s Authorized Service Outlet nearest your.

**Attention:**

Do not uncouple the semi-trailer until the landing gear (both models) is fully rested on the ground, supporting all the weight of the semi-trailer. To this end, make sure it is leveled and/or on flat and even surface.

Pneumatic Axle Lift on the Third-Axle of the Semi-Trailer

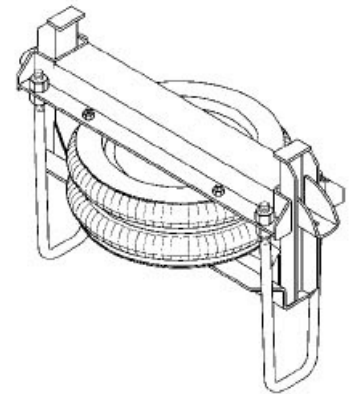
For equipment fitted with pneumatic axle lift on the third-axle of the semi-trailer, we recommend:

- **Stability:** the more the suspension is trests on the ground, the better the stability, safety and braking conditions of the set. Therefore, when the equipment is with its two axles lifted, the driver must be twice as careful;
- **Maneuverability Conditions:** in rainy days, irregular or to sinuous roads, all axles should remain on the ground for safety reasons;
- **Speed:** When one of the axles or both axles are lifted, the driver must respect the speed limits and maneuverability allowed by the road, mainly for semi-trailers with higher gravity center, such as vans, siders, silos and others.
- **Weight:** When the equipment is loaded, all axles must remain on the ground not to cause overload on the suspension of the semi-trailer. Besides, the pneumatic axle lift is not designed to lift the axle when loaded, as in this moment the spring pack does not have elasticity to be lifted and its actuation can damage the suspension.



Attention:

- Only travel with the axle lifted when the semi-trailer is unloaded;
- Operating the pneumatic axle lift consumes a great amount of air. That is why we recommend using it only when necessary;
- The air filling the pneumatic spring (air bag) comes from the air reservoir. Therefore, the reservoir shall be full and with a minimum pressure of 5 bar.



Instructions to operate the Pneumatic Axle Lift

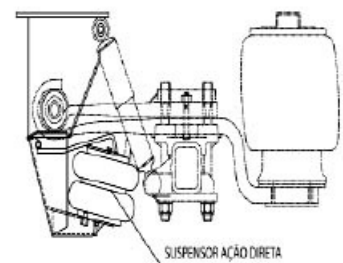
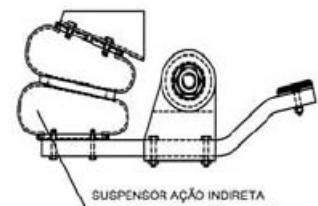


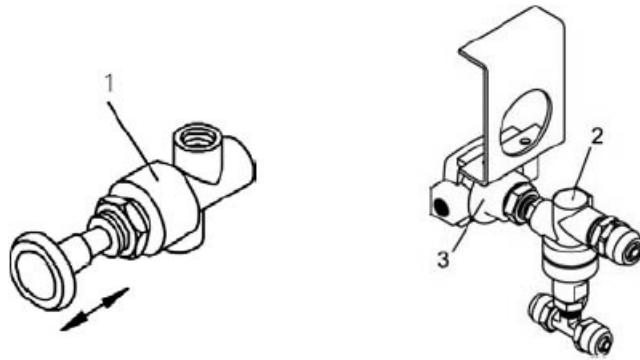
Note:

In the Interlink Semi-Trailer, all instructions shall be followed for both the front and rear semi-trailers.

To lift the Axle:

- Actuate the axle lift valve (ind.1) located in the valve box at the suspension front to the position LIFT, according to instructions in the valve it self. The air will fill the pneumatic spring (air bag) which will, at the same time, lift the axle. The blocking valve (ind.2) blocks automatically the air passage to the axle brakes.





To Lower the Axle:

- Actuate the valve of the axle lift (ind.1) located in the valve box at the suspension front to the position LOWER, according to instructions in the valve it self. The pneumatic spring (air bag) will empty the air, causing the axle to go down. The blocking valve (ind.2) will drain automatically the normal flow of air to the axle brakes.



Important:

Even if the blocking valve (ind.2) controls automatically the air flow of the brakes, RANDON recommends checking the functioning of the brakes of the axle fitted with the pneumatic lift whenever you use the functions of the axle lift, making sure that:

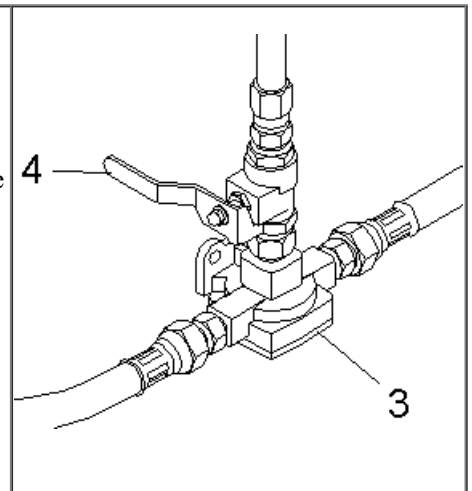
- The axle does not get braked when lifted;
- The brakes are drain when the axle is lowered.



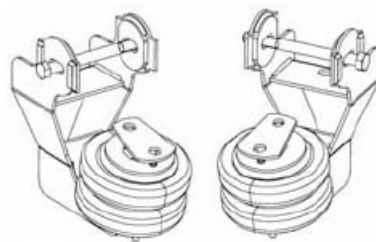
Attention:

Should the road equipment is fitted with a mechanical axle lift with a manual system to control the air flow from the brake, by means of the valve (ind. 4), follow the instructions below:

- The road equipment shall not have the brake applied when you operate the axle lift;
- Close the valve (ind. 4) whenever you retract the axle;
- Open the valve (ind. 4) whenever you lower the axle;
- Control the functioning of the brakes.



Pneumatic Axle Lift - PSYS



Product developed with a new design to guaranty a better action and durability of the **Direct Action Suspensor**.

Direct Action Suspensor presents answer more efficient in the axle lifting, with a major speed driven.

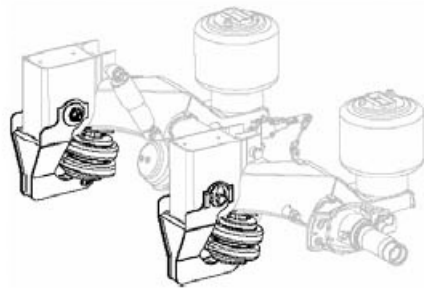
The mounting is done without the necessity of alteration of suspension components, maintaining originals configurations of semi-trailer suspensions.

- Nominal capacity of lifting is 1 ton.
- Free depth from floor in relation with the tires is approaching to 100 mm.



Attention:

the use of RANDON originals spare parts is indispensable. Any modification automatically shall invalidate the warranty.



Operation Instructions

Don't operate the suspensor when there is only one of the sides is driving, due to a fail in the installation or for losses.

The pneumatic suspensor has the function of suspend the axle when the implement was without loading.

Don't recommend suspend the semi-trailer axle in rainy days, neither when is unloaded. With all the wheels on the floor the vehicle will have a major stability and insurance.

The ideal air pressure to job with the suspensor is 8,5 bar, letting a free depth of the wheels of 100 mm.

Maintenance Instructions

The pneumatic suspension ought to be verified on every vehicle revision and replace it when presents a deformation or loss.

The pivot screw must be replaced when it presents a wear upper than 1.5 mm in any place.

The chassis must be replaced when it presents marks provoked by strokes or swerve of material.



Note:

The use off RANDON originals spare parts is indispensable. To execute Reparations or Maintenances consult always in the RANDON Authorized Dealers Net.

Adaptations to Vehicle Manufacturers Revision Systems

You can adapt the periodicity of the "Maintenances - Periodical Maintenances Schedule" in order with the vehicle maintenance manual for the pneumatic suspensor installed, while don't exceed 5.000 km of difference and the period don't exceed 30 days from indication.

In case of adaptation, the overhaul foreseen in the "Maintenances - Periodical Maintenances Schedule" must do always in the overhaul more next to the foreseen by the vehicle manual.

EXAMPLE:

In case in -If in the vehicle manual is foreseen a detention for overhaul on 25.000 km and another on 45.000 km, must include the overhaul of 30.000 km foreseen in the table "Detentions for Overhauling and Reparation" in the overhaul of 25.000 km of the vehicle.

Problem Solutions

Defect	Cause	Solution

<p>The suspensor doesn't lift the axle.</p>	<ul style="list-style-type: none"> • Low air pressure (less than 7 bar) • Weight excess over the axle. • Mistake in the pneumatic installation. • Wrong position in the installation. 	<ul style="list-style-type: none"> • Increase the pneumatic system pressure before the axle lifting. • The axle weight is over the projected limit of 1 ton. • Overhaul the pneumatic installation. • Verify dimensions in order with the installation manual.
<p>Loss</p>	<ul style="list-style-type: none"> • Coupling of inlet air puts in bad order. • Perforated spring. • Perforated hoses. 	<ul style="list-style-type: none"> • Remove the nipple of inlet air, and put in order again. • Evaluate the thread of the nipple, if it presents wear, replace the nipple. • Replace the spring • Replace the hoses.

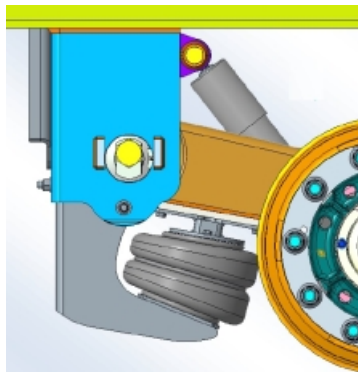


Note:

In the Interlink Semi-Trailer, all instructions shall be followed for both the front and rear semi-trailers.

Pneumatic Axle Lift - TAS

For the pneumatic suspension of the TAS model the pneumatic axle lift model as shown below is applied.



SPARE TIRE CARRIER

The semi-trailer is equipped with basket-type spare tire carrier (for two spare tires).

Instructions to fix the Spare Tire - For spoke Hubs

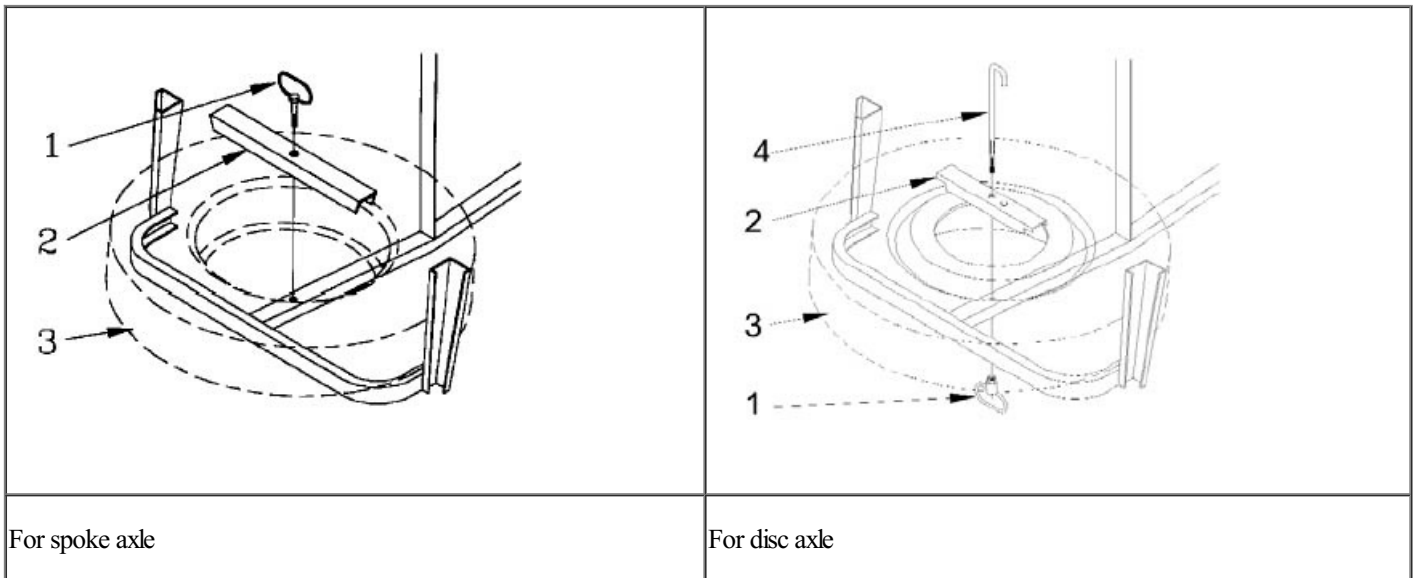
- Remove the handle (ind. 1) and the carrier fixing bar (ind.2);
- Place the spare tire (ind.3) making sure the smallest internal diameter of the tire band is faced downwards;
- Place the fixing bar (ind. 2) of the spare tire and fasten it properly by means of the handle (ind.1).

Instructions to fix the Spare Tire - For Disc Hubs

- Remove the handle (ind.1) and the fixing bar (ind.2);
- Place the spare tire (ind.3), making sure the wheel disc is faced upwards;
- Place the fixing bar (ind.2) of the spare tire, the fixing pin (ind.4) and fasten it properly by means of the handle (ind.3).

Instructions to withdraw the spare tire:

- Loosen the handle (ind.1) and withdraw the fixing bar (ind.2).
- Remove the spare tire (ind. 1).



Comment:

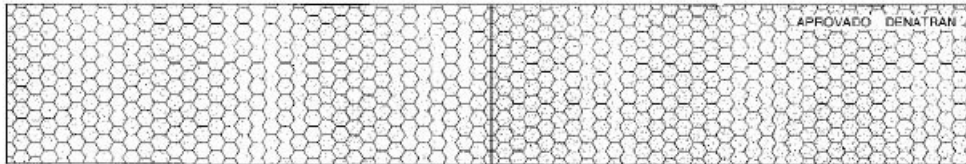
In the interlink semi-trailer the spare tire is located only in the front semi-trailer.

Safety Retroreflecting Stickers

It is an accessory, whose utilization is mandatory, installed on the semi-trailer according to Regulation number 27/2001, of CONTRAN. The regulation determines the quantities and positioning of the stickers in various segments of road equipment.

Randon recommends installing, replacing and/or repairing the stickers in one of RANDON Authorized Service Outlets, thus avoiding non-compliance to Legislation in force.

Red	White (gray)
------------	----------------------



Hints on the maintenance and conservation of the stickers

Dirty Edges: dirt on the edges does not affect the performance of the product.

Therefore, do not try to withdraw it aggressively by using washing equipment by pressure, as it may cause the edges to lift and/or problems on the material laminate. Water temperature: maximum of 60°C.



Note:

After vaporizing the tank semi-trailers, we do not recommend washing the safety retro-reflecting device due to the heat.

Cleaning Solutions: Do not use acid-based solutions, alkaline solutions or solvents in general. We recommend using neutral solutions (pH between 6,5 and 7,5).

Cleaning

Wash your equipment regularly for maximum performance. The following washing procedures are recommended:

wash with a soft sponge or with a non-abrasive cloth, using tepid or cold water and detergent;

Automatic washing (stickers can be washed by automatic turning brushes);

Washing by pressure (1200 psi maximum, at a minimum distance of 30 cm and angle smaller than 45°);

Rinse your equipment thoroughly after washing it.

Pneumatic Axle Lift

It is an

OPTIONAL ITEMS

The following items are optional and are available for RANDON semi-trailers. Their installation always depend on the customers request, which must be made on the form of the Purchase Order of the semi-trailer.



Note:

When they do not come installed by the factory, their installation should be performed in one of the RANDONs Authorized outlets, which are duly prepared for the task.

ABS Brake System

RANDON semi-trailers can be equipped with ABS Brake System, which provides greater safety, reliability and durability to the brake components.



Note:

Randon recommends, for better maneuverability, using the equipment fitted with ABS brake when the tractor-truck is also fitted with ABS brake system.

Adjustment of the Brakes:

The semi-trailers equipped with the ABS Brake System, without automatic slack adjuster, must have their brakes adjusted every 2,000 km.

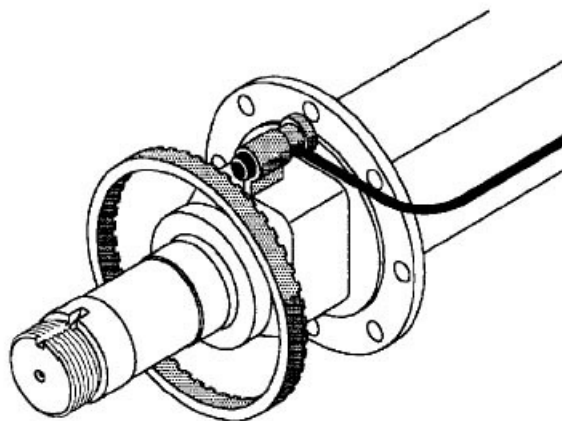
Periodical Maintenance:

Any maintenance in this system shall only be carried out in one of RANDON Authorized Service outlets, thus assuring the quality of the components and their effective performance.



Important:

- When the tractor truck is equipped with ABS brake system, eventual problems in the semi-trailer brake system can be identified by the driver through a specific lamp installed at the tractor truck instrument panel;
- Eventual problems in the ABS system do not disable the regular brake system.



Automatic Slack Adjuster

The automatic slack adjuster is a component that adjusts automatically the brake as brake linings wear, thus keeping the slack between the lining

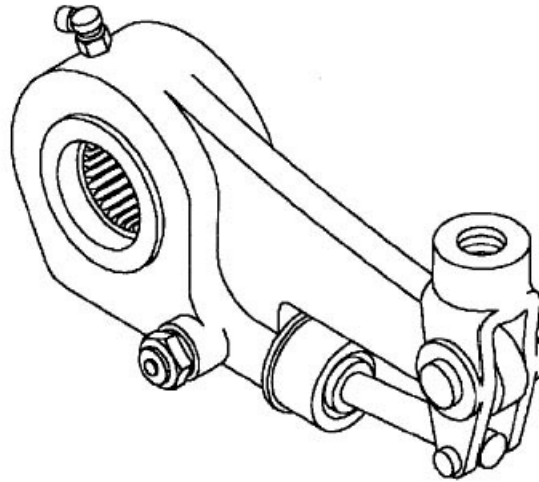
and the brake drum always constant.

Initial Adjustment of the Brake

The initial adjustment of the brake is necessary only when the brake linings are replaced, after which the brake will adjust automatically.

Use a screw to remove the slack adjuster ratchet. From this moment, the automatic slack adjuster will operate as if it were a manual slack adjuster.

Turn the manual adjustment nut until the linings touch the brake drum, then perform a 5/8 turn with the adjustment nut. Remove the screw and perform in the same way in all other slack adjusters of the semi-trailer.



Maintenance of the Automatic Slack Adjuster

At Severe Conditions:

- Disassemble the slack adjuster completely every 100000 km or every year, whichever occurs first.

At Normal Conditions:

- Disassemble the slack adjuster completely every 150000 km or every one year and a half, whichever occurs first.



Important:

- The ideal utilization of the automatic slack adjuster requires its utilization in both the semi-trailer and the tractor-truck;

Food Box

The food box is made of steel sheet, is completely isolated against water infiltration, that is guaranteed for center door lock and two side latches, due to its length.

Below there are some recommendations:

- Load capacity: 60 KG;
- To better tightness, clean the seals every week.



Torque:

- Bolt: M12: 8 à 8,5 Kgfm;
- Bolt: M10: 5 à 5,5 Kgfm.

Tool Box

The tool box is made of polypropylene injected polymer completely water isolated against water isolation, that is guaranteed for center door lock.

Below there are some recommendations:

- Load capacity: 60 KG;
- To better tightness, clean the seals every week.



Torque:

- Bolt: M12: 8 à 8,5 Kgfm;
- Bolt: M10: 5 à 5,5 Kgfm.

TIRES

The safety and performance of trailers/ semi-trailers depend considerably on the condition of the tires. The main purpose of the tire is to withstand loads, provide driving force, adherence to the ground and comfort, and respond to braking actions and accelerations, in addition to ensuring the dirigibility of the vehicle. Each tire is developed within characteristics aimed at withstanding the work it is designed for.



Important:

Lack of maintenance and care associated with irregular maneuvers result in irreversible consequences to the tire, compromising the tread, the bead and the carcass of the tire, showing that the tire has been badly operated.

Warranty



Attention:

For tires purchased along with the trailer, RANDON transfers to its customers the same warranty conditions it receives from its suppliers, that is 3 month from the customer billing date. Therefore, warranty claims must be submitted through the tire supplier's authorized network.

For spare tires sold by Randon, the warranty term is 1 (one) year, according to warranty conditions received from the supplier. Warranty claims, in this case, must be submitted to Randon's Authorized Network.

The warranty conditions of the tire are restricted to manufacturing defects.

Maintenance and Care

For better performance, longer lifespan of the tire, and improved driveability of the semi-trailer, please follow all recommended cares and maintenance procedures, as they avoid premature deterioration and wear of the tire, accidents with property damages and personal injuries, and loss of warranty.

- On poor-condition paved roads, please drive carefully and safely to avoid damages and impacts that may jeopardize the wheel rim and the tire;
- When tires wear from regular use, replace the tire when the point of wear reaches the TWI - Tread Wear Indicator -;
- Use pressure according to the cargo to be transported, as indicated on the tire or by the manufacturer, keeping them calibrated on a daily basis and before long trips.



Comment:

Do not drive with tires below or above the specified pressure. An underinflated tire generates excessive heat, causing deterioration of the tire body and possibly its destruction. Overinflated tires contribute to a variety of problems including increased vehicle vibration, tire wear, and occurrence of punctures.

- Careful Driving : the more abrasive and poorer the road surface is, the shorter will be the life of the tire. Therefore, to increase the durability of the tires it is very important that you drive according to speeds compatible with the type of road, avoiding abrupt braking actions and accelerations. Maneuvers must be performed according to procedures indicated in this manual.
- Alignment and Balancing: proper alignment and balancing must be carried out periodically and whenever you perform preventive maintenance procedures on the suspension, axles and wheels;

- Rotation of tires is recommended to promote more uniform wear for all the tires of a vehicle;
- Periodical inspections are necessary to control wear and eliminate foreign objects picked up on the tire tread or pressed between double wheels, as they can cause irreparable damages to the tires.
- Overloading: avoid overloading, as they cause damages to all components of the tire;
- Storage, move the tires correctly and be careful not to drop them, as the tread can be damaged;
- Mounting of the tire: avoid mounting the tires when they are heated. Twin and uneven tires result in uneven distribution of load on the tires, causing irregular wear.

Maneuvering Hints

- The efforts made by the tire carcass during maneuvers can cause chippings at the bead area, although it is likewise common the burst of the tire rubber and plies displacement;
- It is possible to reduce these effects by using wide turning radius during maneuvers;
- Maneuvering while the tires are heated worsens the problem;
- Performing maneuvers on railways, pavements with spikes, cobblestone pavements, etc. can cause punctures or tears on the tires.



Note:

TWI- Tread Wear Indicator

CONTRAN DIRECTIVE NO. 558/80

Art. 4th-Running vehicles with tires that have reached the TWI – Tread Wear Indicator, or whose remaining tread is lower than 1.6 mm, is prohibited.

Type of Grease

The grease recommended for utilization in all lubrication points of RANDON equipment is of “Multiple Applications” type, lithium-soap based, with EP (extreme pressure) characteristics.

Characteristics:

Base: lithium soap;

Degree: NLGI:2

Drop point: approximately 198°C

Basic Oil: mineral from 138 cSt to 40°C viscosity.

Recommend Brand:

RANDON EP2 - P/N: 1801.00069.

Amount:

- 1,50 kg (one kilo and a half) of grease per wheel hub.
- In further points, an amount enough to keep the components properly lubricated during the established periods of time.



Note:

- The utilization of non-recommended brands will cause the loss of the warranty in the components subject to lubrication, as well as in consequences thereof;
- It is useless using more grease than the recommended amount in hangers (bearings)). Excess of grease will cause overheating during operation and internal increase of pressure, in addition to problems in the wheels;
- The installation of pressure stabilizers for tires in the axles of the equipment changes the internal volume of the hub, impairing grease distribution and the lubrication of hangers (bearings)), in addition to damaging the sealing with possible grease loss.



Important:

RANDON warns that the utilization of grease brands and specifications different from the ones recommended by it impairs lubrication efficiency of the set and contaminates the grease already existent.

MAINTENANCE

General Information

Use the semi-trailer only if it does not show any operating problem, always taken into considerations our instructions on safety and risks. Carry out all maintenance procedures at the intervals shown in the periodic maintenance plan and in accordance with the model of trailer/semi-trailer.

Follow all the indications and maintenance intervals specified for parts such as: hydraulic kit, refrigerating unit and others, which you will find on the respective User's Manual accompanying the trailer-semi-trailer.

□ **Important:**

RANDON recommends that you carry out the Periodic Maintenance Plan shown in the Manual at Randon Authorized Dealers Network, thus ensuring that genuine components and proper tools and procedures will be used. This will provide conservation, longer durability and improved performance to your /semi-trailer.

□ **Attention:**

For safety reasons, RANDON recommends that you do not allow your product to be serviced by inexperienced people who do not know about the safety conditions, use and maintenance of your product.

Please see below the instructions and recommendations to be followed during maintenance procedures:

□ **Comment:**

In the interlink semi-trailer, all instructions herein given must be followed in both, front and rear equipment.

<p>Lubrication Plan</p> <p>For improved performance and longer durability of your equipment, RANDON recommends that you follow a lubrication plan, thus avoiding overheating and the premature wear of the components that are subject to constant friction.</p>	□
---	---

The recommended lubrication points in the chassis are indicated in the table below.

--

item	Description
1	King-pin
2	Landing gear
3	Wheel hub
4	Brake adjuster
5	Camshaft S
6	Mechanical suspension lubrication *
7	Distanced mechanical suspension lubrication bars*
8	Self-steering frame *
9	Self-steering axle *
10	Fifth-wheel
11	Automatic coupling *
12	Spherical coupling *
* When the item applied in the product.	

□ **Note:**

RANDON considers that a semi-trailer operates an average of 12,000 km every 30 days. The mileage and periods mentioned in this manual are the maximum allowed by RANDON. This means you can carry out lubrication procedures at shorter intervals.

Periodic Maintenance Plan

Tasks to be performed during the periodic maintenance procedures:

□ **Comment:**

In the interlink semi-trailer, all instructions herein given must be followed in both, front and rear equipment.

Check the warning signs and list of tasks to be performed during periodic maintenance procedures.

Tasks Column

It identifies the tasks according to the family of components.

Preventive Maintenance Column

Carry out the preventive maintenance procedures according to the indicated periods. These procedures must be performed by the customer/user himself.

A = Daily.

B = Weekly

RANDON recommends that you check visually the following items, every day before you take off;

- Fifth-wheel coupling system;
- Operation of the electric and pneumatic systems;
- Tightening of wheel nuts – see torque table;
- Drain the air reservoir;
- Check the pressure of tires, according to the instructions given by the supplier or as indicated on the tire.

Periodic Maintenance Column

Perform the maintenance procedures periodically, always following the intervals indicated and the recommendation of having this task performed at Randon Authorized Dealer Network.

C = Initial: at 30 days or when completing 10,000 km, whichever occurs first;

D = At every 90 days or 30,000 km, whichever occurs first;

E = At every 180 days or 60,000 km, whichever occurs first.

Column label

Preventive (self) = performed by the operator/owner.

Periodic (network) = performed by the distributor/workshop.

Preventive (Network) 1st Time = performed by the distributor/workshop.

Action	Preventive Maintenance	Periodical (Network)	Periodical (Network) 1 st time
Electrical System			
Check the operation of the electrical system lanterns	A		
Check fixation of electrical components	A		
Pneumatic System			
Clean the air filters	C		
Replace air filter and control panel repairs		D	

Purge the air reservoir	A		
Check for leakage in the pneumatic brake system (valves, hoses and fittings)	C*		
Check brake chamber fixing torque		D	
Examine brake chambers: leaks	C*		
Hydraulic System			
Check hydraulic oil level, leaks and fittings	A		
Check mounting torque of hydraulic kit on horse		D	C
Lubricate clamping bearings and joints	C		
Change oil and air filter		D	
Cleaning the tank and changing the entire system oil		F	
Check air hoses, hydraulic hoses, valves and tank (damage and leaks)	A		
Check end stroke valve, pneumatic control and hydraulic cylinder (operation, damage and leakage)	A		
Clean the outside of the cylinder	B		
Check oil "leakage indicator" hole for oil drip	B		
Check oil and air return filter for dirt	B		
Check drive, function and leakage at T.D.F	B		
Accessories			
Check tire pressure	A		
Side Protector			
Visually inspect attachments and servicing of side guard assemblies	C		
Axles and brake enters			
Check the brakes: adjust the adjusters	Automatic - every canvas change Manual - every 2000 km and lining change		
Check brake linings for wear	B		
Wheel nuts tightening	A		
Check axis alignment		D	C
Adjust the shaft bearing adjustment		D	C
 <p>Attention: Attention:</p> <p>Every time you replace the brake linings, or at 40,000 km, remove the wheels and open the wheel hubs to:</p> <ul style="list-style-type: none"> • Check bearings and change the grease: check hubs, drums and re-tighten screws –see torque table; • Replace toothed washers and retainers (required), together (if necessary); • Examine brake components and replace all the brake shoes springs; • Adjust the backlash of the axle bearings; • Check torque of bolts fixing the brake to the beam disc; 			
Check condition of rocker bushing	C	D	
Check integrity of spring support, torque plate and clamps	C	D	
Check clamp torque		D	C
Check Tension Arm Nut Torque		D	C
Check Rocker Bolt Mounting Bolt Nut Support		D	C
Check spring support cylinder retaining bolt nut torque		D	C
Examine spring scrub wear	C	D	

Single Point Suspension			
Check Center Bearing Torque		D	C
Check spring cover torque		D	C
Lubricate points as indicated in this manual (Ex: bearings and spring cover, pins etc.)	B		
Mixed Pneumatic Suspension			
Check air suspension integrity: traction springs, rubber bushings, air springs (balloons), joints and wear plates when applied	B	D	
Pneumatic Suspension			
Check shock absorber nuts torque, front washer alignment nuts, and air spring retaining nuts		D	C
Check air suspension system: air springs, hoses and leakage	C	D	
Examine rubber bushings, wear washers		D	C
Wear Washer Replacement		E	
Air Axle Lift (for mechanical suspension)			
Check for suspension leaks	B		
Check clamp torque		D	C
Suspension cleaning (contact region between the plates and the edges of the bag)		D	
Air Axle Lift (for pneumatic suspension)			
Check for suspension leaks	B		
Visually inspect for cracks in frame assembly (frame replacement in case of cracks)		E	
Check for any deformation or wear on the air spring and / or pivot bolt		E	
Check the torque of the hanger fixings		D	
Fifth-Wheel and King-Pin			
Clear table and king-pin of the semi-trailer and also the upper fifth-wheel base	B		
Lubricate upper fifth-wheel base, locking mechanism and locking jaw	B		
Adjust Fifth Wheel Handlebar Locking Rod	C		
Examine torque-fixing bolts for kingpin, shoes and fifth-wheel cushions. Polymer insert and polymer plates (the last two applicable for CW and CXW)		D*	C
Check fifth-wheel and king-pin components for wear, deformation or cracking	C	D	
Coupling system			
Examine semi-trailer with directional system (self-directional): air suspension, directional system, coupling, joints, and torques		D	C
Examine Spherical Coupler Tip Torque		D	C
Check Spherical Coupler Pin Torque		D	C
Examine clearance and lubricate self-coupling swivel tip	C		
Check the look of the automatic coupler and measure components for wear	B		
Clean and lubricate locking pin housing and auto-shift yoke bushings	B		
Lubricate the pin housing through the automatic coupling grease fitting	C		
Check tightness of auto-shift yoke nut		D*	C
Checking the torque of the self-locking trigger housing bolts		D	C
Replacing Auto Coupler Rubber Cushions		E	
Lubricate the raceway through the grease fittings by moving it until it forms a grease edge between the raceway frame rings	C		
Review Mechanical Spherical Coupling Torques		C	C
Lubricate locking pins with lubricating oil from Mechanical Spherical Coupler	C		C
Clean and lubricate Mechanical Spherical Coupling locking systems	C	D	C

Before coupling, clean tip and ball pin grease, check tip O'ring conditions, lubricate ball pin, and lubricate through Mechanical Ball Coupler tip grease	A	B	
Perform hook cleaning by applying compressed air to the locking pin housing of the Mechanical Spherical Coupler	B		
Check operation of lifting device		D	
Lubricate the lifting device		D	
Self-Steering System			
Examine semi-trailer with directional system (self-directional): air suspension, directional system, coupling, joints, and torques		D	C
Check Centralizing System Springs	C		
Check that system shock absorbers have eye and body damage	C		
Brake system			
Check components that suffer friction and regular wear, such as: brake pads, springs, drums, retainers, etc	C	D*	
Inspect radial and axial clearances on the expander shaft		D	
Lubricate the system in normal application	C*		
Check brake pad wear	B		
Brake system			
Check Integrity and Warp of Toothed Ring		D	
Check for wear and clean toothed ring	At each opening of the wheel hub	D	
Check torque between ABS / Bracket / Crossbar assembly		D	C
Perform ABS system diagnostics		D	
Chassis			
Check chassis level and overall condition and overall welds	C	E	
Check condition of painting		E	
Cargo box			
Check general condition of cargo box and general welds	C	E	
Check condition of painting		E	

Torque Table

The torques indicated in the table below are those recommended by RANDON. Apply them every time you carry out periodic maintenance procedures, always respecting the intervals indicated. Service should be performed at Randon Authorized Network.

Indication	Torque (Kgf.m)
Lubfree Mechanical Suspension	
Screw the balacim M30	100.0 to 150.0
Rocker pin bearing screw	11.0 to 13.0
Tensioner arm bushing bolts M24	70.0 to 80.0
Tensioning arm adjustment clamp screw M16	25.0 to 30.0
Spring Beam Clip on Shoe M22	40.0 to 50.0
Spring washer fixing screw on the suspension bracket M16	13.0 to 17.0
Mechanical Lubrication Suspension	
Spring Beam Clip on Shoe M22	40.0 to 50.0
Tensioner arm bushing bolts M24	70.0 to 80.0
Tensioning arm adjustment clamp screw M16	25.0 to 30.0
Rocker Cylinder Bolt M16	13.0 to 17.0
Cone Pin M14	10.0 to 15.0
Mechanical Suspension Single Point 22T	
Center bearing nut M22	48.0 to 60.0
Spring cover nut M22	48.0 to 60.0
Central spring clip nut M24	62.0 to 77.0
Mechanical Suspension Single Point 26T	
Center bearing nut M24	60.0 to 80.0
Spring cover nut M24	60.0 to 80.0
Center spring clip nut M30	110.0 to 140.0
Low Combined Pneumatic Suspension	
Traction spring locking nut M30	120.0 to 150.0

Draw spring clip nut M24	70.0 to 80.0
Shock Bolt M20	25.0 to 30.0
Air Balloon Fixing Nut M12	4.0 to 5.0
Air Balloon Attachment Nut M18	13.0 to 17.0
Air balloon base fixing nut	17.0 to 22.0
Pneumatic Suspension - PSYS	
Alignment Bracket Screw Nuts M30	135.0 to 160.0
Air Spring Locking Screw M12	4.0 to 5.0
Shock Bolt Nut M22	48.0 to 55.0
Pneumatic Suspension - TAS	
Alignment Front Bracket Screw Nuts M30	135.0 to 145.0
Air Spring Locking Screw M12	3.4 to 4.7
Air Spring Locking Screw M18	3.4 to 4.7
Shock Bolt Nut M22	48.0 to 55.0
Spring clip nut M24	70.0 to 80.0
Plate fixing screw with M12 arm	10.0 to 12.5
Suspension fixing screw with arm	6.0 to 7.0
Suspension fixing screw with holder	13.0 to 15.0
Axis	
Wheel nut M22 - for shaft to disc (cross direction)	65 to 70
Nut nut M20 - for threaded shaft (cross direction)	25.0 to 30.0
Hub cover screw	1.5 to 3.0
Cube / Drum Assembly Mounting Screw - INBORD	18.0 to 23.0
Axis Clamp Group	

Torque on spring clamps M24	70.0 to 75.0
Torque on spring clamps M22	40.0 to 50.0
Brake System	
Brake Chamber Mounting Nut M16	11.0 to 13.0
Brake Expansion Shaft "S" Bracket Screw	15.0 to 17.0
Brake fixing screw with beam disc	22.0 to 27.0
ABS System	
Locking nut on the Holder M8	1.7 to 2.2
Locking nut of the ABS bracket on the crosspiece M10	3.5 to 4.3
Autodirectional System - Frame	
Spring fixing bolts equalized to crosspiece	1.8 to 2.5
Shock Absorber Bolts	35.0 to 37.0
Self-Directional System - Shaft	
Pneumatic locking cylinder screw	3.0 to 4.0
Shock absorber bolt	35.0 to 37.0
Stabilizer Spring Joint Joint Fixing Screws	17.8 to 19.6
Axle tip clamp screw with steering rod	7.3 to 8.0
Brake Chamber Bracket Screw	4.0 to 4.4
Coupling	
King-pin fixing screw 2"	18 to 20
King-pin fixing screw 3.1/2"	26 to 28
Fifth-wheel mounting plate screw	26 to 30
Drawbar fixing nut – fixed drawbar	40 to 50
Clamp nut – air axle lift	26 to 30

Hubdometer fixing nut	1,5
Coupling system nut - Ball hitch	22 to 26
Castellated nut – Ball hitches	40 to 43
Fixing screws of the trigger housing - Towing Hitch	60 to 80
Fixing screws of front plate on coupling guide - Towing Hitch	110 to 150
Coupling - Rala	
Ring fixing bolt and shims	27.0 to 31.0
Pneumatic Axle Lift - Mechanical Suspension	
Plate fixing nut	6.0 to 8.0
Staple nut	28.0 to 32.0
Suspension fixing screw on the chassis	11.0 to 14.0
Pneumatic Axle Lift - PSYS	
Fixing screw on suspension arm M10	5.0 to 6.0
Fixing screw on the M14 suspension bracket	13.0 to 14.0
Pneumatic Axle Lift - TAS	
Fixing screw of the axle lift on the suspension bracket	6.0 to 7.0
Top bracket screw to axle lift on the arm	13.0 to 15.0
Acessories	
Fixing screw in air axle lift	4 to 5
Side Guard: Fixing screw M8	1,8 to 2,1
Side Guard: Fixing screw M10	5 to 6
Side Guard: Fixing screw M16	16 to 19,5

□ **Important:**

For torques not specified in the above table, we refer to the Random Authorized Distributor Network.

□ **Note:**

Periodic Maintenance recommendations and specific torques of load box components can be found in the **Specific Maintenance** chapter.

Axles Alignment

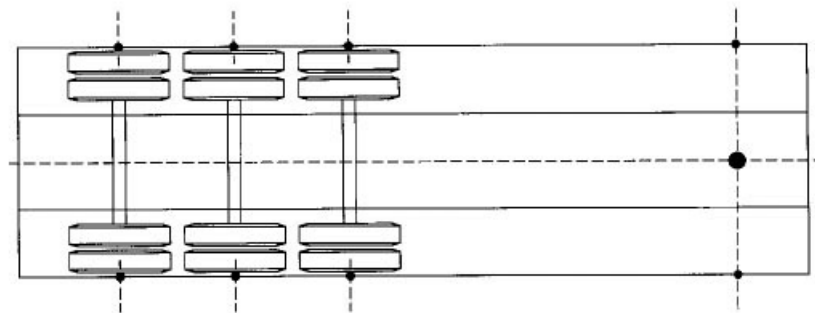
A perfect geometry provides the semi-trailer with better performance, reduced fuel consumption, steadier speeds, less wear on tires and a better stability of the set tractor-truck and semi-trailer.

Randon recommends aligning axles every 30,000 km or whenever the suspension is serviced. In order to check axles alignment and, in case it is necessary to perform it, RANDON recommends doing so in one of the RANDON Authorized Service Outlets, which count on professionals trained by the factory and equipment for this operation.



Comment:

Unaligned axles shall be covered by warranty only if it occurs in the first two months of use, otherwise it will be considered as maintenance.



Note:

In the Interlink semi-trailer, all instructions shall be followed in both the front and back-up semi-trailers.

SEMI-TRAILER PAINTING

The painting processes of Randon provide longer durability and better performance no matter what application of the equipment is.

Warranty Period

A Randon attributed paint warranty to or implement specified in this manual to Legal Guarantee of three (03) months and Contractual Guarantee of nine (09) months, totaling twelve (12) months.

Warranty Restrictions on Painting.

For extra protection and longer durability of your equipment painting, RANDON's recommendations must be followed. The validity of the warranty is directly linked to the processes used to preserve the painting of your equipment.



All parts and components that have been damaged by foreign agents, such as: scratches, crashes, blows, damages caused during maintenance (assembly/ disassembly) - with evidence of it – will not be covered by warranty.

RANDON will not warrant painting problems if there is evidence of:

- Washing with improper chemical products, or with products not recommended by Randon, (see semi-trailer cleaning and washing instructions);
- Rocks hitting the trailer and chipping the paint, scratches in the paint, collisions or damages caused during the semi-trailer operation;
- Areas of intense abrasion, such as loading and unloading areas, floors, hinges (sides and turning areas), fixing elements (screws, handles, nuts and washers), twist locks, fifth-wheel upper base and side panel coupling;
- Direct contact with chemical products such as spilling of acids, contact with caustic soda, solvents, paints, sodium hydroxide-base solvents, alkaline products and corrosive materials.
- Fittings in the semi-trailer such as welding and holes to install accessories and others;
- Regular wear and tear of the semi-trailer and parts;
- Utilization of paint not recommended by RANDON.
- Exposure to extreme temperatures;
- Repair/ Service not performed at RANDON Authorized Network.

Semi-Trailer Cleaning and Washing Instructions

In order to prolong the painting durability and keep its good appearance, RANDON recommends that you carry out maintenance on a regular basis.

Carefully read the recommended instructions whenever you clean or wash your equipment.



Important:

Protect the environment. Always use cleaning products that do not harm the environment.



Attention:

RANDON recommends that you use products with neutral ph when cleaning your equipment (from 5 to 7.5).



Use cleaning products that are proper for washing.

Never use any alkaline or acid products, as they are extremely harmful to painting.

High-Pressure Cleaning Device/Equipment

Avoid using high-pressure to clean components such as valves, gaskets, seals, etc...

Do not apply jets directly on the part to avoid ingress of water, which may cause damages.

Anti-Corrosive Protection

Anti-corrosive products must be added to provide effective protection to your equipment.

RANDON recommends that you use water-based anti-corrosive products, preferably of the brand **Tirroil 957 D/60**.

Painting Re-Touching

Randon recommends that you repair painting damages as soon as you detect them. The earlier repairs are made, the lesser the risk of corrosion.

To repair painting or eventual damages such as chipping caused by stones/rocks, scratches and others, visit an Authorized RANDON Dealer.

EQUIPMENT

Dump Semi-Trailer – Sand/Gravel and Grains



Interlink with Single Side Dumping



APPLICATION

Sand and Gravel Dump – Flat and Dropped

Used for transporting sand, gravel, limestone, sugar, fertilizers, lime, and other bulk products with free flow unloading by the dumping the load body up to 45 degrees.

Grain Dump – Flat and Dropped

Used to transport bulk grains, such as soy, corn, wheat, rice, beans, and others, with free flow unloading by dumping the load body up to 45 degrees.



Attention:

Randon only recommends transporting cargo with a maximum grain size of 44mm.

Sand and Gravel Double Trailer – Rear Unloading

Used for transporting sand, gravel, limestone, sugar, fertilizers, lime, and other bulk products with free flow unloading by dumping the load body up to 45 degrees.

Grain Double Trailer – Rear Unloading

Used to transport bulk grains such as soy, corn, wheat, rice, beans, and others, with free flow unloading by dumping the load body up to 45 degrees.

Products Considered Extra Light

Specific extra light product for use on roads in good conditions and liquid cargo, following the scale law, as stated in chapter **Cargo Distribution**. The type of material transported depends of the dump model.

Interlink Single Side 40 Tons (Light)

Ideal for low intensity use for the transportation of soy, wheat, sugar, limestone, fertilizer, and other bulk products with lower abrasiveness, with free flow unloading by dumping the load body.

Interlink Single Side 44 Tons (Heavy)

Sand and gravel model: Ideal for medium intensity use for the transportation of sand, gravel, dirt, lime and other bulk products with greater abrasiveness, with free flow unloading by dumping the load body.

Grain Model: Ideal for medium intensity use for the transportation of soy, wheat, sugar, limestone, fertilizer, and other bulk products with lower abrasiveness, with free flow unloading by dumping the load body.

CUSTOMER INSTRUCTIONS

Dear Customer,

The information below should be passed on to you by the technical consultant that makes the equipment's technical delivery. They are to increase your satisfaction and prolong the durability of your equipment, as well as to ensure its full functionality.

Delivery Instructions Table

Equipment:	
	Flat Dump Semi-Trailer – Sand and Gravel
	Flat Dump Semi-Trailer - Grains
	Dropped Dump Semi-Trailer – Sand and Gravel
	Dropped Dump Semi-Trailer –Grains Interlock with single side dumping

Suspension and Structure:

- Lubrication Points;
- Location and regularity;
- Operation of the pneumatic lift;
- Operation of the spare holder and attachment of spare tire;
- Check for king-pin wear, acceptable measures and regularity;
- Operation with lift device;
- General suspension retightening;
- Use of pneumatic suspension, if included.

Brake System

- Check of brake pad wear: regularity and procedures;
- Brake adjustment: regularity and procedures;
- Drainage of the air reservoir: regularity and procedures.

Steering System:

- Basics of functionality, adjustments, and the use of the steering system;
- Points that affect the cargo distribution;
- Periodic maintenance of the directional system.

Load Body:

- Dumping Basics: care, appropriate locations, etc.;
- Cargo distribution;
- Specific Product Weights Table;

- Lubrication of bearings and joints;
- Recommended hydraulic oils.

Periodic Maintenance Plan:

- Ideal times to execute the maintenance plan;
- Recommended torque on torque table;
- Importance of periodic maintenance;
- Execution pointers

TECHNICAL DELIVERY INSPECTION

Upon delivery, the equipment should be submitted to an inspection following the list below, executed by a technical consultant from the factory of the RANDON Authorized Network.

Inspection and Delivery Table

Equipment:	
	Flat Dump Semi-Trailer – Sand and Gravel
	Flat Dump Semi-Trailer - Grain
	Dropped Dump Semi-Trailer – Sand and Gravel
	Dropped Dump Semi-Trailer –Grains Interlock with single side dumping

Verify:

Suspension and Structure:

- Test electrical system;
- Tightening of the clamps for the spring leaves;
- Tightening of the wheel nuts;
- Tightening and attachment of the torque-arms;
- Pneumatic suspension, if included;
- Functionality of the lifting device;
- Accessory attachment: tool box, spare holder, water reservoir, etc.

Brake System:

- Brake adjustment and attachment of brake chambers.

Load Body:

- Ladders (as requested);
- Rear lid;
- Spare Tire Carrier;
- Volume measurement ruler and mandatory safety items;
- Functionality of the hydraulic system;
- Load body dumping;
- Bearing lubrication.

Steering System:

- Functionality of the steering system;
- Adjustment of pneumatic suspension;

- Lubrication of the directional system.

General:

- General paint conditions: risks, etc
- General equipment condition: dents, etc.

Dear Technician,

After completing the inspection tasks above, the Customer should sign the rear side of the delivery coupon of the Warranty Certificate, initiating its validity.

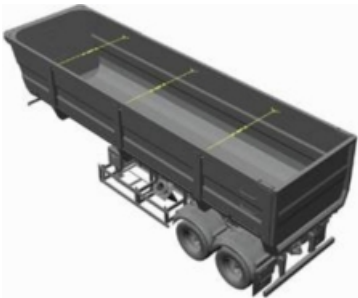

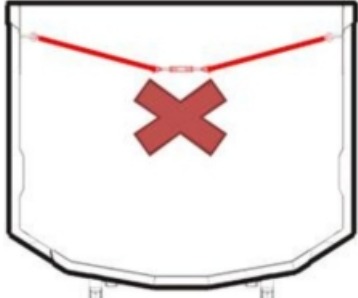
LOADING SYSTEM

RECOMMENDATIONS

Random recommends the following precautions

- Always load within the capacity limits stated on the plaque (**according to the Scale Law**);
- Always distribute the cargo uniformly both sideways and lengthwise;
- Only do dumping on **FLAT, COMPACTED** ground, and do not unload the material on top of previously unloaded material;
- The tractor unit should be aligned with the equipment to do the dumping;
- Always check the tire pressure before dumping;
- Always check if the work area is free of any people or obstacles, and make sure there are no electricity cables;
- The unloading operator should do the unloading operation in a **SAFE** position that allows the visualization of the cargo unloading;
- Only proceed the dumping if there are no gusts of wind;
- Em caso de levantamento irregular da caixa de carga, baixe-a imediatamente e verifique as eventuais causas como: carga descentralizada, desgaste das buchas do mancal de giro, calibragem dos pneus, feixes de mola da suspensão, compactação do solo, entre outros;
- If the load body is lifted improperly, lower it immediately and check for any possible causes such as: shifted cargo, wear of the swing bearing bushings, tire pressure, suspension spring leafs, soil compactness, or others;
- Always dump with stationary equipment and do not move the equipment when the load body is in the upward position;
- Do not move the equipment to help with the unloading;
- Only distribute the cargo when the bed is in the horizontal position, with the cargo supported by the chassis;
- If the material remains stuck to the load body, it should be returned to the horizontal position and the material should be decompressed so it will flow during the next unloading attempt;
- Never do maintenance with the dumped product without bracing the load body to the chassis;
- Do not adjust the end of stroke sensors located behind the dumping cylinder, under the load body on the left side (driver side) of the chassis.

For some Dumper models the tie rod is standard, for others it is available as optional, requested at the time of ordering. The function of the tie rod is to provide greater longitudinal stiffness in the load box, for this you must ensure that it is tensioned so that the stringers remain aligned.

Tension	Right	Wrong
		

LOADING AND UNLOADING

SEMI-TRAILER DUMP

LOADING

Follow the instructions below for the loading procedures, taking every safety precaution according to the chapter **Recommendations**:

- Position the Semi-trailer Dump in alignment with the tractor unit on a flat, compacted surface and never over recently unloaded material;
- Pull the parking brake on the control box or keep the brakes on;
- Remove the cover tarp from the load body;
- Check if the tailgate automatic lock and Safety Lock (see chapter **Safety Lock**) are closed;
- Proceeded to loading. See recommendations in the chapter **Cargo Distribution**.



Attention:

Randon recommends checking the cargo distribution, always following the nominal capacity stated on the identification plaque on the equipment, in accordance with the Scale Law. Do not load materials that do not meet the equipment's specifications.

- Place the cover tarp on the load body;
- Release the parking brake on the control box or step off the brakes.

UNLOADING

Follow the instructions below for the unloading procedures, taking every safety precaution according to the chapter **Recommendations**:

- Position the Semi-trailer Dump in alignment with the tractor unit on a flat, compacted surface and never over recently unloaded material;
- Pull the parking brake on the control box or keep the brakes on;
- Remove the cover tarp from the load body;



Important:

Always remove, totally or in part, the tarp during unloading to avoid damage to the load body and bows due to a possible vacuum created during unloading.

- Unlock the tailgate, using the safety locks (see chapter **Safety Locks**);
- Turn on the power take-off and release the oil pressure to the semi-trailer;
- Turn on the position lights (low lights);
- Maintain the rotation of the tractor unit engine, in accordance with the operational instructions of the hydraulic kit manufacturer;



Attention:

The hydraulic kit supplied by Randon is optional item that equips the dump trailers. This **hydraulic kit meets Brazilian CONTRAN Resolution No. 563**, which provides for the security system for the movement of vehicles and road equipment type dump trailers. The electronic control system is A Type that includes the safety system primary that prevents accidental PTO starting and the secondary system is a visual and audible warning alert that the hydraulic PTO is bound. It is also required to put a sticker that must be fixed on the windshield with the information: start operation, warning when the PTO is switch off after the discharge, warning check to verify if the cargo box is in the initial position before vehicle movement and on the sticker bottom the phrase "should be fixed in windshield". **We suggest to follow the guidelines of the hydraulic PTO kit as described in the hydraulic kit manual.**

To purchase a dump trailer Randon, is available to the owner the authorized Randon dealers for hydraulic kits installation, which is prepared according to Brazilian CONTRAN Resolution No. 563.

- Keep a constant engine rotation of the tractor unit;
- Press the clutch pedal and activate the power outlet;
- Slowly let of the clutch pedal;
- Turn the knob to the “Lift” position;
- Wait until the material is unloaded, **without moving the equipment**;
- Turn the knob to the “Lower” position to lower the load body;
- Turn off the power outlet, as instructed by the manufacturer;
- Lock the rear lid, using the safety locks (see chapter **Safety Locks**);
- Place the cover tarp on the load body (if used);
- Release the service or parking brake.

SAFETY LOCK

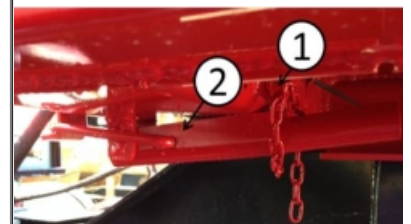



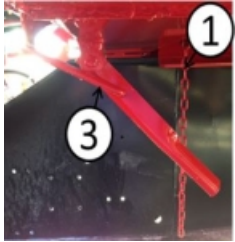
Important:

All of the semi-trailers and interlink dumps have a safety system for the rear lid (manual lock). **REMEMBER** to follow the unlocking procedures before beginning to unload.

- Procedure for unlocking the lid

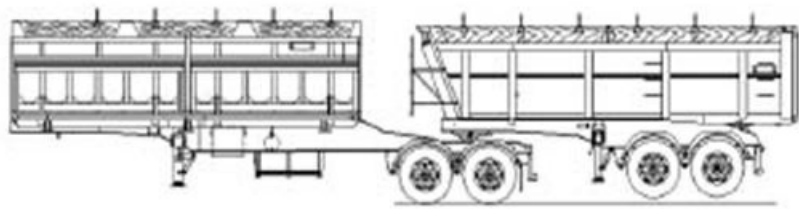
- Release the chain (ind. 1);
- Unlock the crank (ind. 2);



<ul style="list-style-type: none"> • Open the tailgate lock (ind. 3) toward the crank (ind. 2); 	
<ul style="list-style-type: none"> • Tie the tailgate lock (ind. 3) with the chain (ind. 1) to avoid damage to equipment components. 	

To lock the lid, follow the opposite procedure.

INTERLINK WITH SINGLE SIDE DUMPING



LOADING

Follow the instructions below for the loading procedures, taking all safety precautions:



- Position the Interlink Dump in alignment with the tractor unit on a flat, compacted surface and never over recently unloaded material;

- Pull the parking brake on the control box or keep the brakes on;
- Remove the cover tarp from both of the load bodies;
- Make sure the tailgates are closed and locked (see chapter **Safety Lock**);
- Proceed to loading. See recommendations in the chapter **Cargo Distribution**.



Attention:

Randon recommends checking the cargo distribution, always following the nominal capacity stated on the identification plaque on the equipment, in accordance with the Scale Law. Do not load materials that do not meet the equipment's specifications.

- Place the cover tarp on the load bodies;
- Release the parking brake on the control box or step off the brakes.

Tailgate adjustments

- Lower the load body and support it fully on the chassis;
- Release the safety nuts;
- If the tailgate is open, turn the spindle until the lid closes. The tailgate should sit firmly on the base;
- If you continue to turn the spindle, the load body will start to lift up from the chassis. At that point, stop turning the spindle and turn the wrench ½ turn to end the procedure;
- Tighten the locknuts.

UNLOADING

Procedure for dumping the interlink dump with remote control:

- Place the Interlink Dump in alignment with the tractor unit on a flat, compacted surface and never over recently unloaded material;
- Pull the parking brake on the tractor unit and the rear semi-trailer;
- Remove the cover tarp from both of the load bodies;



Important:

Always remove, totally or in part, the tarp during unloading to avoid damage to the load body and bows due to a possible vacuum created during unloading.

- Turn on the power take-off and release the oil pressure to the interlink using the hydraulic kit lever;
- Turn on the position lights (low lights);
- Accelerate, keeping the tractor unit engine at 1,000 RPM;



Attention:

Activate the tailgate closing push-button for 3 seconds. This is to pressurize the cylinders and keep the tailgate from opening partially after the release of the locks.

- Remove the safety pin and release the central lock (ind. 2). Only release the front and rear lock after the release of the central lock, using the levers located at the end of the bodies (ind. 3);
- Dump the load body of the front semi-trailer;
- Decelerate the engine of the tractor unit, leaving it in low gear;
- Lower the load body of the front semi-trailer;
- Close the side gate of the front semi-trailer. If necessary, accelerate the engine of the tractor unit to 1,000 RPM;
- Lock the lids using the levers (ind. 1 and 3) and insert the pins (ind. 2 and 4).
- Accelerate, keeping the tractor unit engine at 1,000 RPM;
- Dump the load body of the rear semi-trailer;
- Decelerate the engine of the tractor unit, leaving it in low gear. Turn off the pump and the power take-off;
- Lower the load body of the rear semi-trailer;
- Lock the tailgate of the rear semi-trailer using the Safety Locks (see chapter **Safety Locks**).

To lock and unlock the side lock (ind. 3) follow the instructions:

- Unlock the pin;
- Pull it to release the lock key (ind. 4);
- Then tilt it until the pad is released.



Comment:

Activating the side-gate of the front semi-trailer should be interrupted immediately after the gate is total open or shut. This seeks to avoid overloading the hydraulic system and premature wear of the components.



Note:

When unloading on the ground, depending on the volume of transported material, it might be necessary to unload the front semi-trailer in two steps. If the side-gate is in contact with the unloaded material the interlink should be moved to release the gate and allow the return of the load body.



Attention:

If the rear semi-trailer needs to be unloaded while coupled directly to the tractor unit, the activation of the hydraulic system should be done according to the operation instructions for the semi-trailer with rear dumping (Interlink with Single Side Dumping).

REMOTE CONTROL

Randon offers a remote control to activate the load body for the interlink as described below:

Remote Control Registration

- Turn off the position lights (low lights);
- Push 2 buttons on the remote control (Gate Closing and Rear Body Lift), to enter into programming mode (flashing red LED light);
- Turn on the position lights (low lights), and the receptor module sends the code (green and red LEDs for the module flash);
- The control receives the code (activated the green LED, confirming the programming);
- Release the 2 control buttons.

These instructions are listed in the label on the back side of the remote control.



Control Operation:

To use the remote control, just push the keys according to their functions. The green LED for the remote control shows that the command was received and executed by the receptor with no troubles.



Attention:

The receptor module (feeding and outflows for the solenoids) should be totally disconnected before doing any welding on the equipment.

The single side dump semi-trailers can be activated by remote control. If it is not working, use the levers located on the left side of the equipment.



Note:

Do not drive the equipment unless the gates are properly closed and locked with the safety pin;

Clean the product weekly, and after every unloading, the gates should be washed so material does not accumulate between the lid and the load body, thus ensuring it will close properly.



Upon releasing the lever, be careful to avoid accidents. Try to stay positioned in front of the lever.

When using the manual levers, be careful not to stick a hand on the beam with the lowering of the load body. Try to position oneself below the beam line of the chassis.

CARGO DISTRIBUTION

The Randon equipment is developed in compliance with the current standards for cargo distribution according to the regulations of CONTRAN RESOLUTION No. 201, on NOVEMBER 13, 2006 (Scale Law). To ensure compliance with this law, Randon recommends that the transported material be equally distributed throughout the load body, both crossways and lengthwise, ensuring proper cargo distribution.

Not complying with these suggestions above may cause overload and damage to the equipment and/or tractor vehicle, causing the warranty to be voided, because the loading, unloading, and transportation operation are the user's responsibility.

When loading, Randon recommends the following guidelines for:

- **Net Cargo:** the transported net cargo is the result of the GCWR of the set, minus the tare weight of the tractor unit and the equipment;

$$\text{Net cargo} = \text{GCWR set} - (\text{tractor unit tare weight} + \text{equipment tare weight})$$



Note:

The calculated net cargo is equal to the sum of the payloads on the plaques on the tractor unit and equipment. See chapter **Identification Plaque**.

- **Volume:** the volume is the result of dividing the net cargo by the specific weight of the transported material, not exceeding the volumetric capacity of the load body;

$$\text{Volume} = (\text{net cargo}) / (\text{specific weight})$$



Attention:

Depending on the state of the material, the specific weight can vary due to the humidity (exp: Dry vs wet sand) and quality (exp: fine vs thick sand), as stated in the chapter **Specific Material Weight**.

Therefore, the calculated volume can suffer variations according to the condition of the transported material.

SPECIFIC MATERIAL WEIGHTS

To help the cargo compositions, the table below lists the specific weight of the main materials that are transported in Dump Semi-trailers.

Sólidos	kgf/m3	Sólidos	kgf/m3
Dry fine sand	1.400 - 1.650	Coal	1.280 - 1.360
Wet fine sand	1.900 - 2.050	Common tile	1.400 - 1.550
Coarse Sand	1.400 - 1.500	Magnesite	3.000
Rice	770 - 850	Magnetite	4.900 - 5.200
Asphalt	1.100 - 1.330	Black magnetite	3.900 - 4.100
Clay	1.700 - 2.800	Red Magnetite	3.460
Garbage	400 - 600	Malachite	3.700 - 4.100
Hydrated Lime	1.150 - 1.250	Common Marble	2.500 - 2.850
Dry and wet lime	1.650 - 1.780	Corn grains	700 - 800
Virgin lime	900 - 1.300	Iron ore	2.460 - 2.600
Limestone	1.470 - 2.420	Manganese Ore	3.200
Anthracite coal	1.400 - 1.700	Bone	1.800
Charcoal	200 - 220	Graveled Stone	1.200 - 1.800
Lignite	1.200 - 1.500	Limestone	2.460 - 2.850
Large Coal	1.200 - 1.500	Flint	2.600 - 2.800
Grit	1.350 - 1.500	Rubble	1.800 - 2.000
Powdered cement	1.350 - 1.750	Salt	900 - 1.300
Coal Ash	650 - 850	Rock salt	2.280 - 2.410
Basic slag	3.300 - 3.500	Saltpeter	1.950 - 2.080

Feldspar	2.600 - 2.700	Dry Silica	1.800
Calcium phosphate	3.180	Wet Silica	2.000
Plaster of Paris	1.810	Bulk Soy	720
Sifted Plaster	1.250	Clay Earth	1.700 - 2.000
Crushed Granite	1.600	Dry powdered dirt	1.340
Granite blocks	2.600	Siliceous dirt	1.300 - 1.400
Soy grains	630	Loose dirt	1.200 - 1.300
Sandstone	2.600	Wheat	700 - 830

Particle size

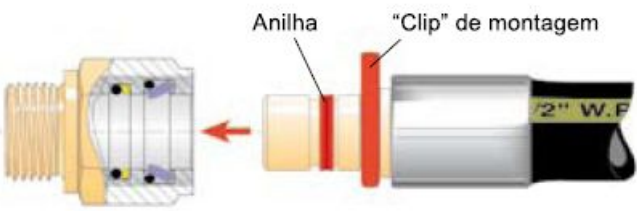

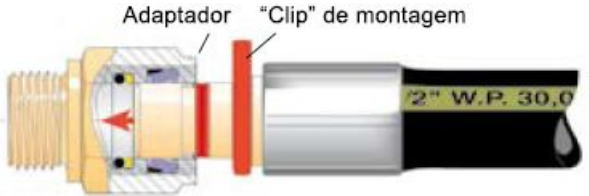
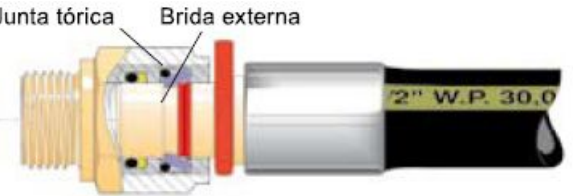
Level	Particle size	Type of product
1	Up to 10 mm	Grain and Sand and Gravel/Ore
2	From 10 to 20 mm	Sand and Gravel/Ore
3	From 20 to 30 mm	Sand and Gravel/Ore
4	From 30 to 40 mm	Sand and Gravel/Ore

Materials with a particle size above 40mm should check with the factory.

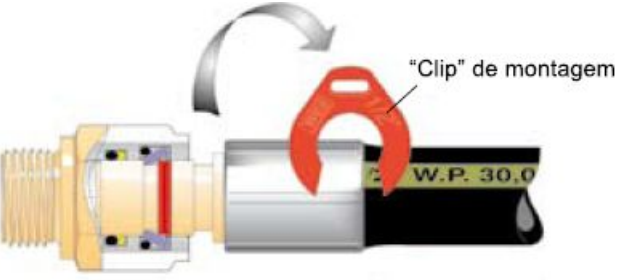
HYDRAULIC CONNECTIONS

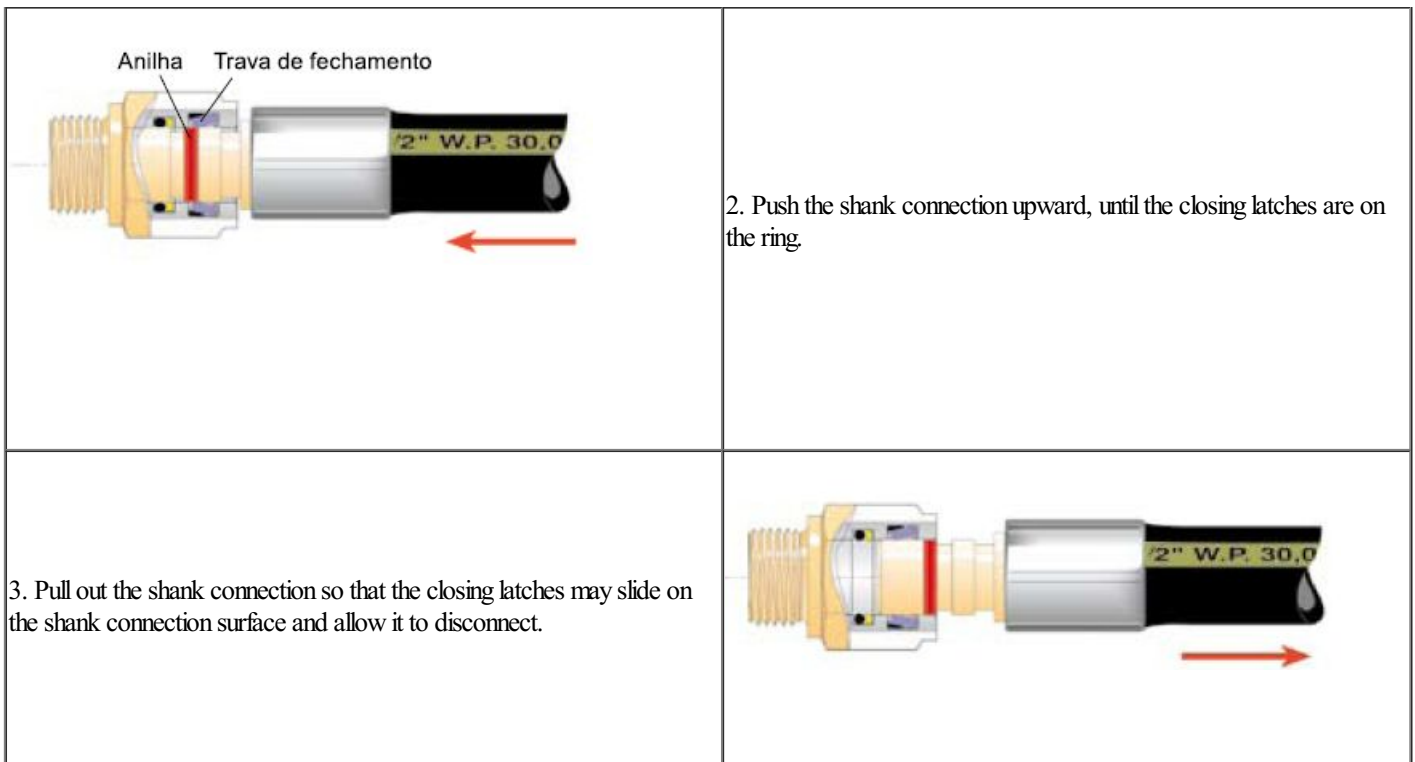
When connecting and disconnecting, follow the steps below:

To connect:

<p>1. Make sure that the mounting "clip" is in place and that the ring moves freely through the guide.</p>	
 <p>2. Insert the shank connection all the way until the closing locks are released.</p>	
<p>3. Press the shank connection until you hear the mounting "click".</p>	
	<p>4. The joint presses the locks so that they can close in the shank connection. This closes the system and does not allow it to disconnect.</p>

To disconnect:

<p>1. Using a wrench, remove the mounting "clip".</p>	
---	--



Hydraulic System

The hydraulic kit of the tractor unit is responsible for the transfer of the pressure to the body load dumping of the Dump Semi-trailer. It is activated using the valve located on the trailer unit's cabin and connected to the equipment using hoses and fast couplings. For more information, check the operation instructions of the hydraulic kit manufacturer.

Tractor Unit Hydraulic System

The Randon Dump Semi-Trailer can be coupled to tractor units, but they must be equipped with a hydraulic system for the dumping of the load body.

For the operational tasks of the hydraulic system of the tractor unit, follow the manufacturer's instructions. Even so, Randon recommends:

- Checking the hydraulic oil level weekly;
- Check all connections and gaskets weekly;
- Check the hydraulic oil filter monthly;
- Change the hydraulic oil annually;
- Only use the recommended hydraulic oil;
- Use a hydraulic kit that services at least 170 BAR of pressure.

Semi-trailer Hydraulic System

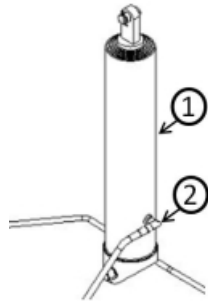
This is the set of semi-trailer equipment that dumps the load body. It is made up of:

- A telescopic hydraulic cylinder with various stages (ind. 1);
- A hydraulic line made up of hoses, connections, and valves for the feeding and return of the hydraulic oil (ind. 2);



Important:

Keep the hydraulic pressure and return coupling connected.

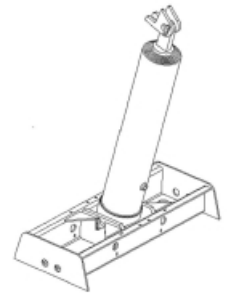


Hydraulic Cylinder

Randon recommends taking certain precautions with the semi-trailers hydraulic system, especially after it undergoes maintenance.

When the hydraulic cylinder does not complete its normal course, check the following:

- The level of hydraulic oil in the reservoir;
- The gaskets of the stages and the hydraulic connections for leaks;
- The stages of the cylinder for deformities;
- If the pressure capacity of the hydraulic pump is adequate;
- If the transported cargo complies with the chapter **Cargo Distribution**;



Attention:

If the cylinder does not operate normally, contact the nearest Randon Authorized Dealer.

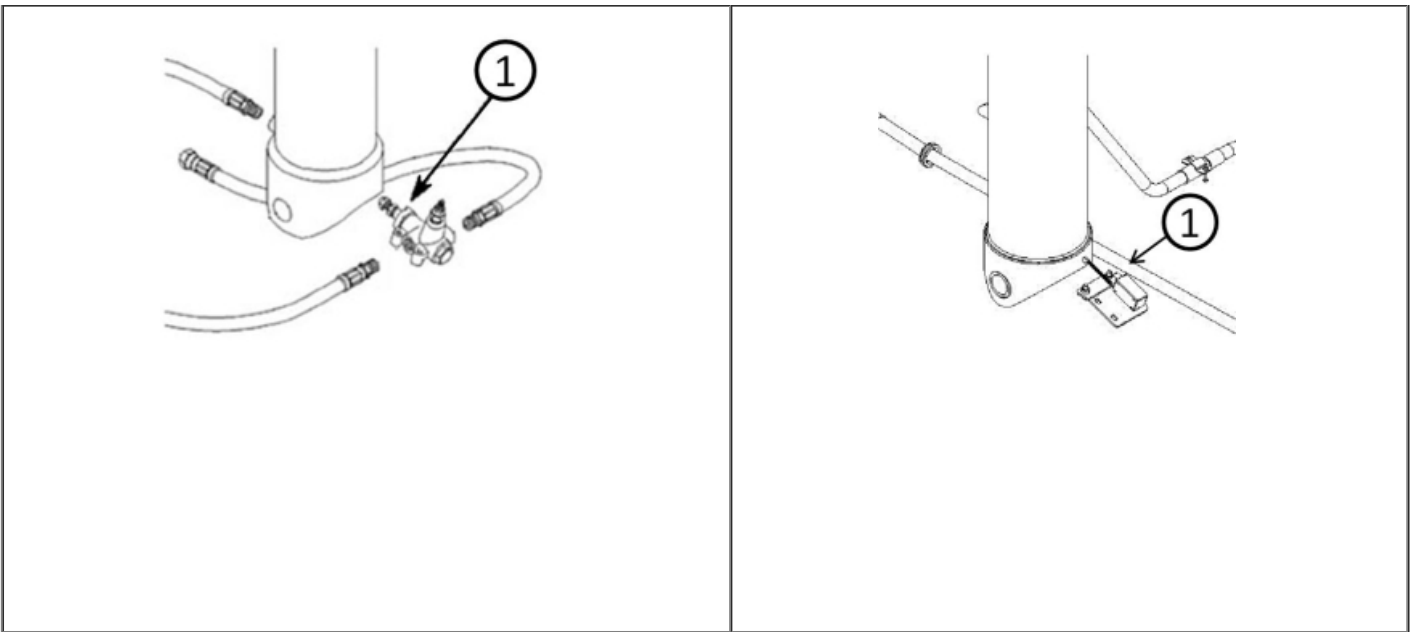
End-of-Stroke Valve

The hydraulic system of the semi-trailer has an end-of-stroke valve (ind. 1) for the hydraulic cylinder. This valve is located next to the lower end of the cylinder and its purpose is to limit the opening of the hydraulic cylinder, avoiding possible interference between the load body and chassis.

This valve is adjusted by the factory and any alteration will lead to a loss of warranty.

End-of-Stroke Valve – Hydraulic

End-of-Stroke Valve - Electric



Important:

Since the pump depends of the output ratio of the power take-off, we cannot determine the recommended RPM for the tractor unit. It is fundamental that the pump flow does not lead to a piston velocity greater than 35 cm/s. If the end-of-stroke valve and the return line are not used and the procedures above are not followed when using the dump's hydraulic system, serious problems may result, such as:

- Premature ware of cylinder components (rings and guides) because the cylinder will only stop when it reaches the end-of-stroke;
- Pressure peaks above factory design for the cylinder, possibly causing deformities to the gasket rings and cylinder leaks;
- Swelling and ovalization of the cylinder stages, leaving them caught between stages, thus keeping the cylinder from closing;
- All of the opening ends of the cylinder stages with mechanical pad;
- Tipping over of the dump semi-trailer due to the problems mentioned above.



Attention:

Hydraulic Oil

Only use the recommended hydraulic oil for use in Randon hydraulic systems – code 180100516 (HD 68). Since it is the agent that activates and lubricates all of the internal parts of the cylinder and other components of the hydraulic circuit, the hydraulic oil is fundamental for the proper functioning of the entire system. Contaminated oil is one of the main causes of hydraulic component failure; therefore, whenever any type of contamination of the hydraulic oil is observed, the oil should be changed. Never use oil with detergent that is not lubricated or mix with water of other agent that could harm proper functioning.

When changing or adding oil, always use clean oil.

DUMP MAINTENANCE

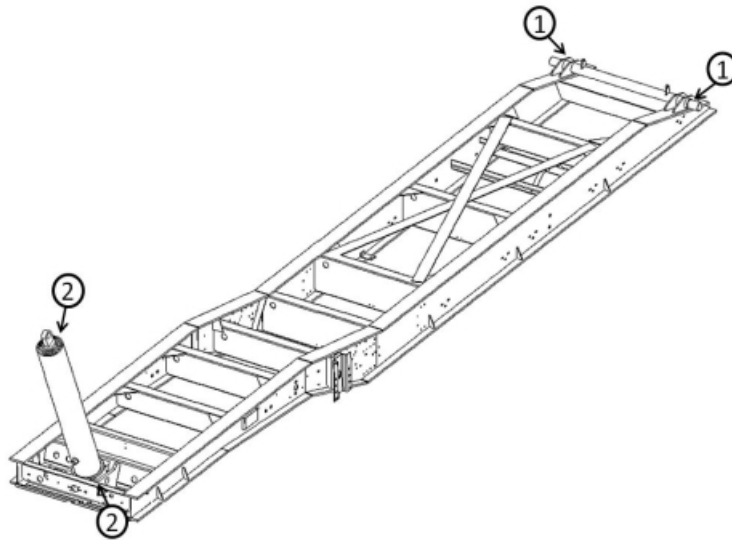
Randon recommends following the maintenance instructions below to increase the useful life of the product's load body components, extending the useful life of the structural components.

Lubrication Points, ST, IL front and IL rear

Randon recommends monthly lubrication of the joint and friction point, avoiding overheating and premature wear. The points are the following:

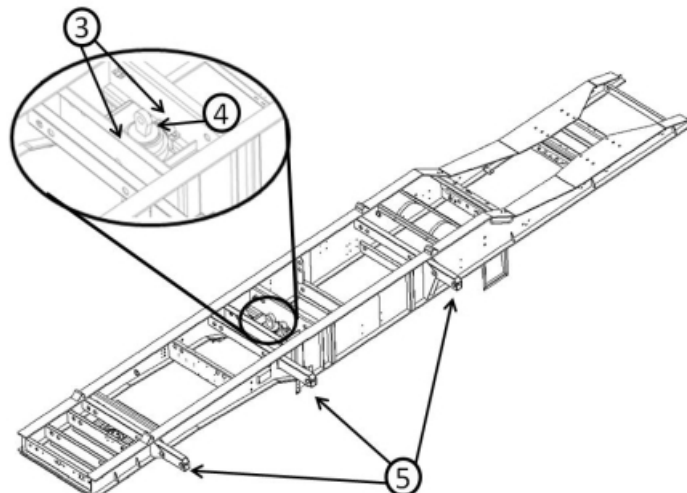
Semi-trailers and Rear Interlink

1. bearings and turning axel;
2. cylinder joints;



Front Interlink

4. bearings and turning axel;
5. cylinder joints;
6. body joint bars.





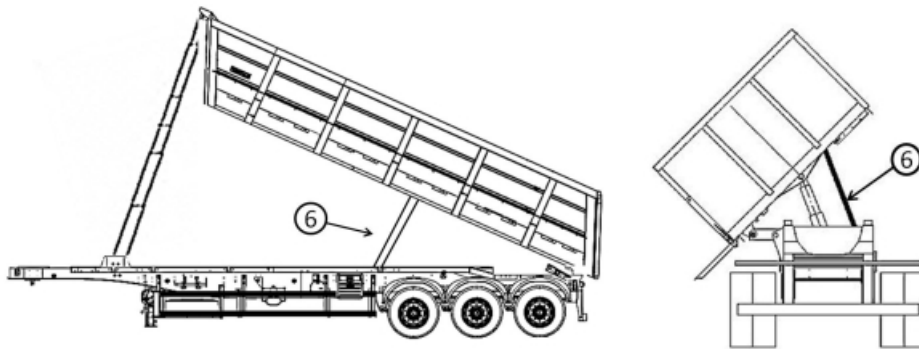
Note:

Depending on the use and working conditions, the lubrication periods can be shorter than those recommended.



Attention:

Randon warns that, when performing any type of service to the products with a lifted load body, a safety bar must be used (ind. 6) to wedge the body, keeping it from lowering and causing an accident.



Initial Maintenance Column

Carry out preventative maintenance according to the recommended periods. These should be done directly by the customer.

A = Daily.

B = Weekly.

Periodic Maintenance Column

Carry out maintenance in a periodic fashion, following the recommended intervals and services executed at the Authorized Randon Network.

C = Initial 30 days or 10,000 km, whichever comes first.

D = Every 90 days or 30,000 km, whichever comes first.

E = Every 180 days or 60,000 km, whichever comes first.

Maintenance Tasks	Initial Maintenance	Periodic Maintenance
Examine the general state of the load body (attachments and couplings) and welding in general		D
Lubricate the bearings and turning axle	Every 10,000 km	D
Lubricate the joints of the front cylinder of the rear interlink	Every 10,000 km	D

Check that the bearings, pins, and couplings of the side and tail gate work	Every 10,000 km	
Lubricate the joints of the lower cylinder on the front single side interlink		B
Lubricate the load body turning bars of the front single side interlink		B
Lubricate the side lock of the body of the front single side interlock		B
Check to see if the receptor is attached		E
REMOTE CONTROL		
Check the connections of the feeding harness of the central receptor of the remote control		A



Tips and care for the remote control:

- Keep the fuse well connected and keep the control clean;
- Check to make sure the battery compartment is tightly shut;
- Do not use objects to pressure the control buttons;
- Do not force the harness or the antenna;
- Retighten the screws of the end-of-stroke sensors located on the left side (driver side) under the load body and, when available with the model, behind the cylinder.

Problem Solving:

Remote Control LED does not turn on.

- Check if the batteries are charged and placed correctly.

Remote Control always turns of the red LED.

- Check if the distance between the remote control and the receptor module is not too big. It is possible to safely dump at a distance of 15 meters from the product;
- Check if the remote control was registered in the receptor module;
- Check if the fuse is burnt;
- Check if the receptor module is being fed correctly (flashing green LED).

Remote Control turns on the green LED but the bed does not move.

Contact the nearest Randon Dealer for assistance.

Recommended Torque	Torque (Kgf.m)
Hydraulic Control	

Stud bolt M10	2,04
Stud bolt M12	3,06
Nut M10 (take-off on the body)	5,1
Nut M10 (pump on the take-off)	8,16
Load Body	
Bolts for end-of-stroke electric/hydraulic M5	0,62
Ladder bolt M10	3,35

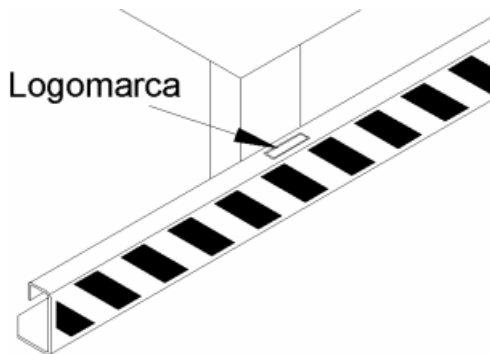
INTERNAL PAINTING LOAD BOX

Tippers do not receive internal paint, just a bottom, for protection before the start of operations. After starting to operate the friction of the material prevents the formation of internal oxidation of the load box, so it has no guarantee.

COMPONENTS AND ACCESSORIES

Bumper for Hazardous Cargo

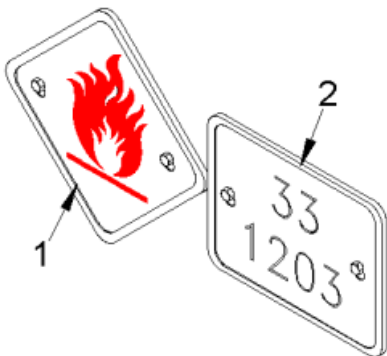
The RANDON Interlink Dump comes equipped with a bumper in compliance with the INMETRO regulations, which certifies the equipment to transport hazardous cargo. Along with the equipment comes INMETRO compliance certificate and the bumper has a RANDON logo with the zebra print.



Warning Signs for Hazardous Cargo

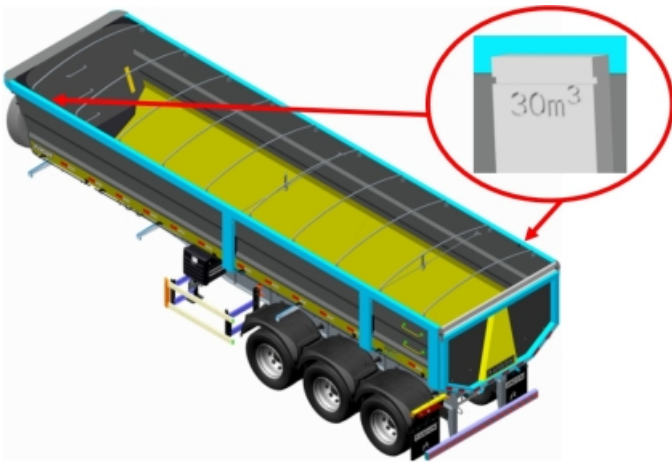
These are signs and identification labels for the danger levels of the transported cargo, using symbols and/or numeric codes, following ABNT (Brazilian Association of Technical Standards) standards and recognized by international standards for controlling the transportation of hazardous cargo. They are located on the sides and rear of the equipment and include:

- The diamond sign (ind. 1) that identifies the risk level of the transported cargo.
- The rectangular sign (ind. 2) contains the transported product identification codes and the risk level it represents.



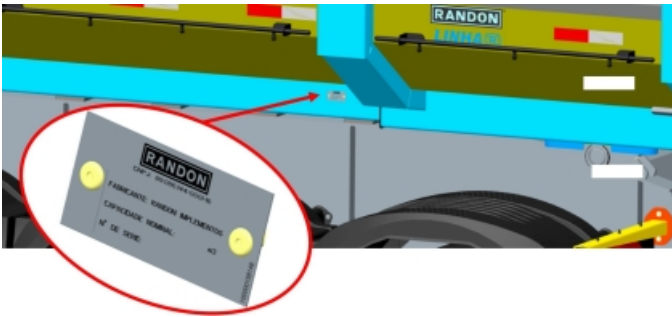
Ruler Measurement

It has the function of measuring the volumetric capacity of the cargo box. It consists of two plates welded inside the cargo box located on the left frontal region (driver's side) and rear right region (passenger side), as figure below. There's the indication of the maximum volume capacity.



Nominal Capacity Plate

On the left side (driver's side), is fixed by rivets the plate indicating the nominal capacity and the serial number, as figure below.



Attention:

The maximum volume of the cargo box shall only be used when the density of the transported material multiplied by the maximum volumetric capacity does not exceed the net load on the implement.

MISCELLANEOUS

RANDON equipment bear information such as numbers, plates, etc. that help in the identification, instructions and or licensing.

Chassis Number

It is the legal identification of the equipment (VIN). It is located on the chassi right and left sides, close to the landing gear. It is composed of 17 characters, according to the example below:

9ADP12430GM063455



Attention:

Whenever you refer to this equipment, use the chassis no. as reference.

Identification Plate

It contains the basic information of the equipment.

MODEL:	Letters indicating the equipment model;
VIN NUMBER:	Legal identification no. of the equipment (chassis no. - VIN);
PRODUCTION NUMBER:	Serial production number;
VOLUMETRIC CAPACITY:	Volumetric capacity of the equipment in case of tanks and dump semi-trailers;
TARA:	Equipment weight, unloaded;
CAPACITY:	Technical capacity of the equipment
MANUFACTURED YEAR:	Year in which the equipment was manufactured. Ex: 2000
MODEL YEAR:	Year of the model: Ex: 2001
PESO BRUTO TOTAL:	Total capacity (tare plus technical capacity);
MANUFACTUR :	Code of the assembling plant unit of the equipment;
DATE:	Date in which the equipment was delivered to customer by the factory or Assembling Plant Unit.



Note:

In the Interlink semi-trailer, the identification plate is affixed on the front and rear semi-trailers, identifying each one individually.

RANDON

IMPLEMENTOS

208008900

MODEL			
VIN NUMBER			
PRODUCTION NUMBER		MANUF. YEAR	
VOLUMETRIC CAPACITY		m ³	MOD. YEAR
TARE		Kgf.	ASSEMBLED IN
LEGAL CAP./TECH. CAP.		Kgf.	
GROSS TRAILER WEIGHT		Kgf.	DATE / /

LEGISLATION

Bumper

To meet Resolution 152, Randon installs the reinforced bumper, which is designed and approved by the competent bodies. In some cases, the products may be exempt from bumpers, as discussed in the next item.

Implements that have reinforced bumpers must have a nameplate containing the manufacturer's name, CNPJ, technical report approval number and name of the institute or body that issued the approval report. Implements transporting hazardous cargo (RTQ) must also have another Inmetro nameplate with Inmetro's logo, serial number, manufacturer's brand, vehicle chassis number and UCI accreditation number.



Comment:

The owner is responsible for the inspection and maintenance of the nameplate, in order to ensure its preservation according to the current legislation of the country.

Exemption of the reinforced bumper on trailers and semi-trailers manufactured by Randon

Since the publication of Ordinance 11/04, products that have a distance between the rear end and the tangent of the last smaller 400 mm tire are exempt from the bumper, but they must carry a metal profile with reflective blade. The length must be at least equal to the distance between the inside faces of the rims or wheels. This bumper has no structural purpose but signaling (support the reflective sticker).



Attention:

This procedure does not apply to trailers and semi-trailers transporting hazardous products such as fuel, chemicals, etc., either in tanks or containers, which in this case have their own legislation.



Due to the position of the suspension, usually the front B-trains, road trains and dollies are exempt from the reinforced bumper. For semi-trailers exempt from the bumper, Randon must include in the vehicles' invoices the expression: "Authorized by DENATRAN according to item V, art. 2 of CONTRAN Resolution #152/03 - exempt from bumper."



Important:

Let it be clear that Randon neither produces nor delivers products that violate the current legislation.



Comment:

The owner is responsible for the inspection and maintenance of the reflective bumper sticker, in order to ensure its preservation according to the current legislation of the country.

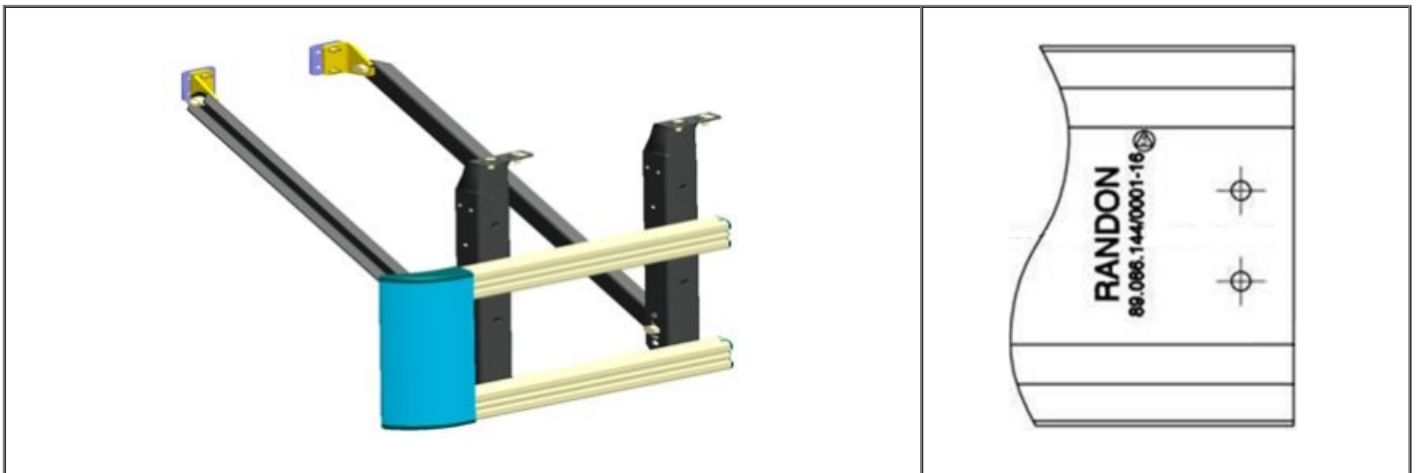
Side Protector

According to RESOLUTION #323, of July 17 2009, it establishes the technical requirements for manufacturing and installing the side protector for cargo vehicles, Randon Implements equips its products according to the resolution, with side protectors developed with innovation and features such as: model standardization, bolted couplings, reduced weight and fast and flexible assembly and operation.



Legislation

Art. 1 Trucks, trailers and semi-trailers with PBT total gross weight over 3,500 kilograms (three thousand five hundred kilograms) new, from the factory, domestic and imported from January 1, 2011, may only be registered and licensed if they are equipped with the side protector that meets the specifications. The legislation in effect requires that at least one section has the marking, Randon records in bas-relief or glues a sticker behind the protector with the manufacturer's name and CNPJ.



Comment:

The owner is responsible for the inspection and maintenance of the bas-relief or sticker with Randon's name and CNPJ, in order to ensure its preservation according to the current legislation of the country.

Purpose

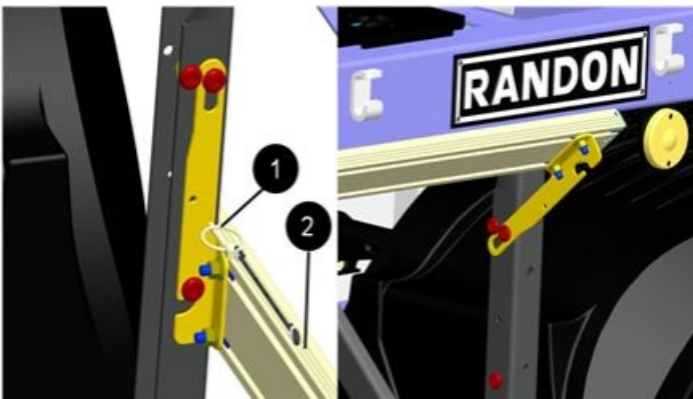
Avoid or minimize collisions, preventing motorcycles, bicycles or small vehicles from entering under and being crushed by the wheels of the truck or train.

Side Protector Operation

To operate the side protector in tilting areas, follow these procedures:

1. Remove the lock (ind.1);
2. Move the blade upwards (ind. 2);
3. Move the blade 20 mm outwards of the implement to decouple;
4. Lower the blade;
5. Rotate the set approximately 130°, always pulling the blade;
6. Press the set to lock.

To lower, follow the inverse operation.



Attention:

See the maintenance and torque table to keep your product in perfect operational condition.



Comment:

To fasten the M10 screws used to fasten the aluminum blades, apply chemical lock and torque of 5 to 6 kgf.m.

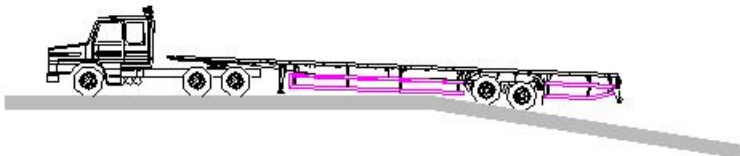
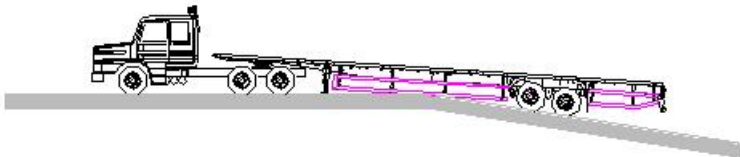
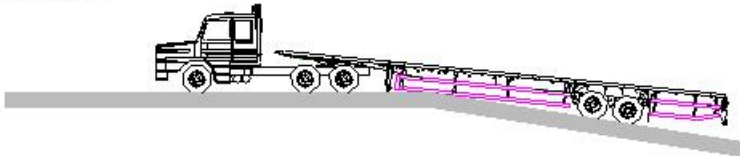
Randon guides that implements equipped with guard at the back swing be at the correct inclination to avoid shocks on ramps and road unevenness.



Attention:

The maximum ramp angle is 9° or 16%.

Subida



Descida



Note:

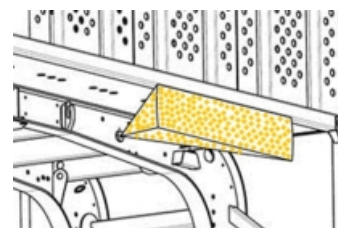
Ordinance #1283/2010 exempts some products and models from the side protector.

- **PRODUCT:** Sugarcane, carry-all, tipper (single side), and beverage bodies;
- Rear region to the rear axle (rear overhang), where the spare is installed;
- Stretching region of stretchable products;
- Sliding Chassis: 2.5 m from the tire tangent;
- Rear region to the rear axle (rear overhang) of semi-trailer, trailer body of the tipper types and tilting silo;
- Regions where the protector must have lengths equal to or less than 750 mm.

Position Lights

Randon's implements meet RESOLUTION #227, of February 9, 2007, which establishes requirements regarding lighting systems and vehicle signaling.

- Horizontal angle, 45° inward and outward;
- Vertical angle, 10° above and below the horizontal.



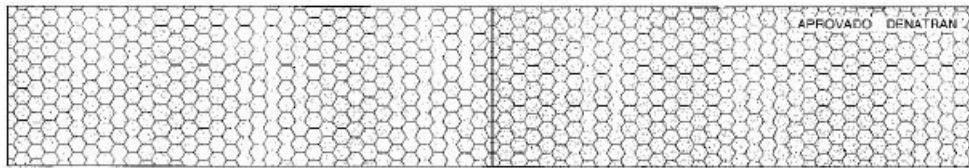
Required Equipment

Randon's implements meet all mandatory equipment according to RESOLUTION #14, September 1998, such as:

1. Rear bumper;
2. Rear wheel protectors;
3. Red rear position lights;
4. Parking and service brakes, with independent controls for vehicles with a capacity exceeding 750 kg and produced from 1997;
5. Red brake lights;
6. Rear plate lighting;
7. Amber or red rear direction indicator lights;
8. Tires that offer minimum safety conditions;
9. Bounding and side lights, when its dimensions so require.

Reflective Stickers

Randon's implements meet RESOLUTION #128, of August 6, 2001 and Ordinance #20 of March 18, 2002. The reflective devices are fastened to the side and rear of the vehicle, along the bottom edge, alternating red and white, horizontally arranged, distributed uniformly covering 33% (thirty-three percent) of the extension and the side edges 80% (eighty percent) of the extension of the rear edges.



Comment:

The owner is responsible for the inspection and maintenance of the reflective stickers in order to ensure their preservation according to the current legislation of the country.

Transport of Hazardous Products

To transport hazardous products, Randon meets RESOLUTION N° 420, of February 12, 2004, having hazard signs on the implements (diamond-shaped) and the UN number (rectangular) fastened on the sides and rear. The position and dimensions of the signs meet ABNT NBR 7500.



Comment:

The owner is responsible for the inspection and maintenance of the hazard signs in order to ensure their preservation according to the current legislation of the country.

Transported Cargo

Randon's implements meet RESOLUTION #290, of August 29, 2008, on the correct cargo distribution between the tractor and semi-trailer vehicle. If the capacity (net cargo) exceeds the value reported on the sign, the product automatically loses the warranty and Randon is not responsible for fines resulting from excessive cargo or damage caused to the implement.

MISUSE OF THE EQUIPMENT



RANDON warns that misuse of the equipment, in addition to damaging it, will cause warranty loss.

RANDON considers as misuse:

- Overload;
- Transportation of loads not recommended for this type of equipment;
- Any alteration performed in the equipment without the previous authorization of RANDON;
- Improper maintenance and careless use of the equipment;
- Maintenance services performed by non-authorized third parties;
- Transportation of concentrated loads. Loading concentration has some restrictions, as this product has been designed for the transportation of evenly distributed loads. In case of doubts, please check with the factory;
- Travel in speeds that are not compatible with the road conditions.

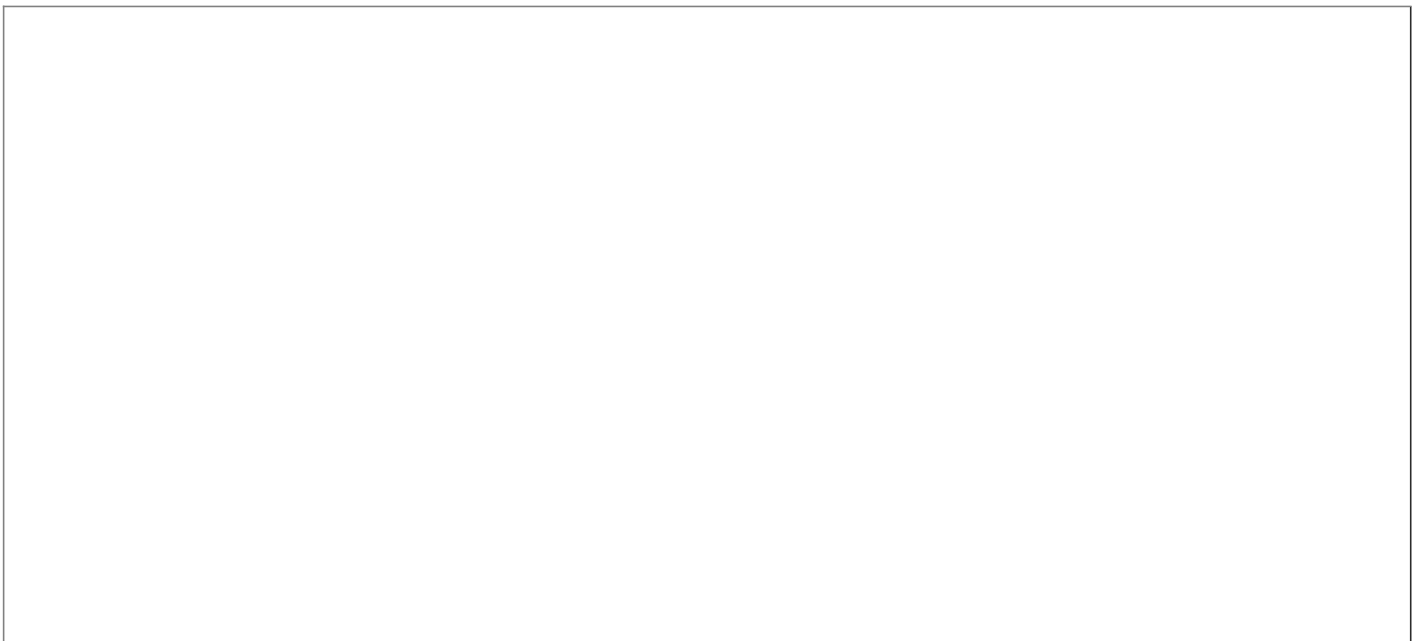
Special Care with your RANDON equipment

- Carry out the tasks regarding use and maintenance within the safety regulations, thus avoiding damages to the equipment and possible accidents;
- Keep the equipment always clean and in good conditions, always replacing the damaged or worn parts / pieces;
- Use, at replacements, only genuine RANDON parts and components, guaranteeing the performance, functionality and durability of the equipment;
- Not transporting materials which are not within the specifications of the equipment.



Attention:


When using the tarpaulin on body, make sure it is well stretched and fastened, avoiding folding, creases or loose parts that may cause tears, deformations and others.



- The texts, specifications and illustrations regarding to this manual refer to the information available at the time of its publication;
- RANDON equipment are in continuous development. Therefore, the information contained in this manual may be changed without previous notice.



DELIVERY CERTIFICATE

<p>ATTENTION:</p> <p>Dear Owner / Driver</p> <p>This Certificate of Delivery and Beginning of the Warranty shall have all its fields filled in correctly. The lack of information in this document will cause the loss of warranty of the equipment.</p>		<p>CERTIFICATE OF DELIVERY AND BEGINNING OF THE WARRANTY</p>	<p>DECLARATION</p> <p>I declare to be aware of the information, guidelines and conditions of maintenance and correct use of the implement acquired, indicated in the Certificate of Guarantee and Owner's Manual, received along with the RANDOM implement. I also state that I have received the technical delivery of the implement acquired having knowledge of the operation and of the consequences, being responsible for them, when not fulfilled.</p>	
	<p>Name of the customer:</p>			<p>Local: _____</p>
	<p>Address:</p>			
	<p>NIN/ ENI:</p>			<p>Data: _____, _____, 20 _____</p>
	<p>Telephone/ e-mail:</p>			<p>.....</p> <p>Stamp and Signature of Delivery Officer (Factory / Distributor)</p>
	<p>Model / Product:</p>			
	<p>No. of the Chassis:</p>			
	<p>Distributor / Assembler:</p>			
			<p>Responsible for Withdrawal</p>	
			<p>Name:</p> <p>NIN:.....</p> <p>.....</p> <p>Signature</p>	

ATTENTION

This Certificate of Delivery and Beginning of the Warranty shall have all its fields filled in correctly. The lack of information in this document will cause the loss of warranty of the equipment.

**RANDON S.A. - Implementos e
Sistemas Automotivos**

**To: Setor de Serviços (service
department)**

**Av. Abramo Randon, 770 - Caixa
Postal 175**